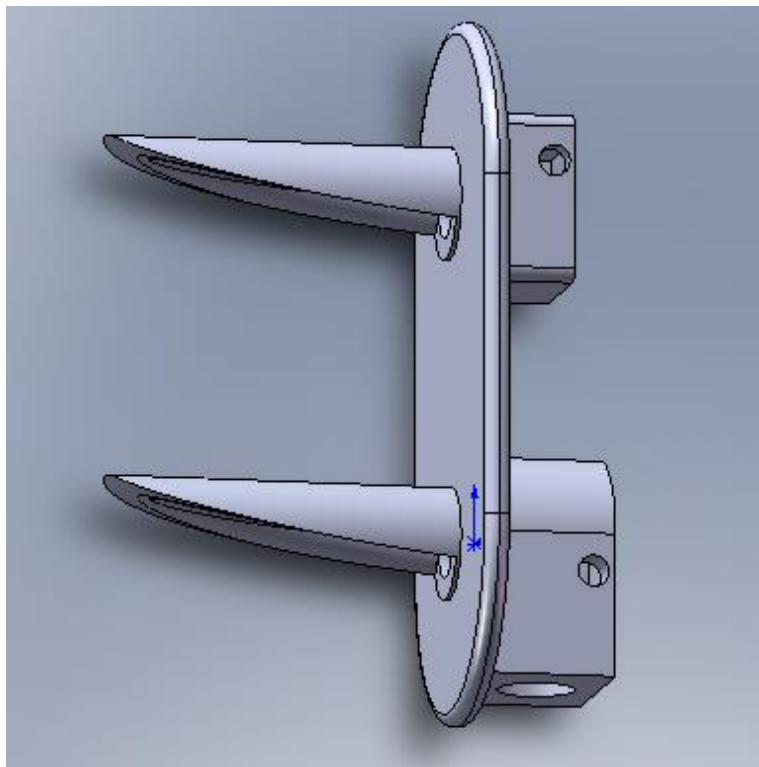
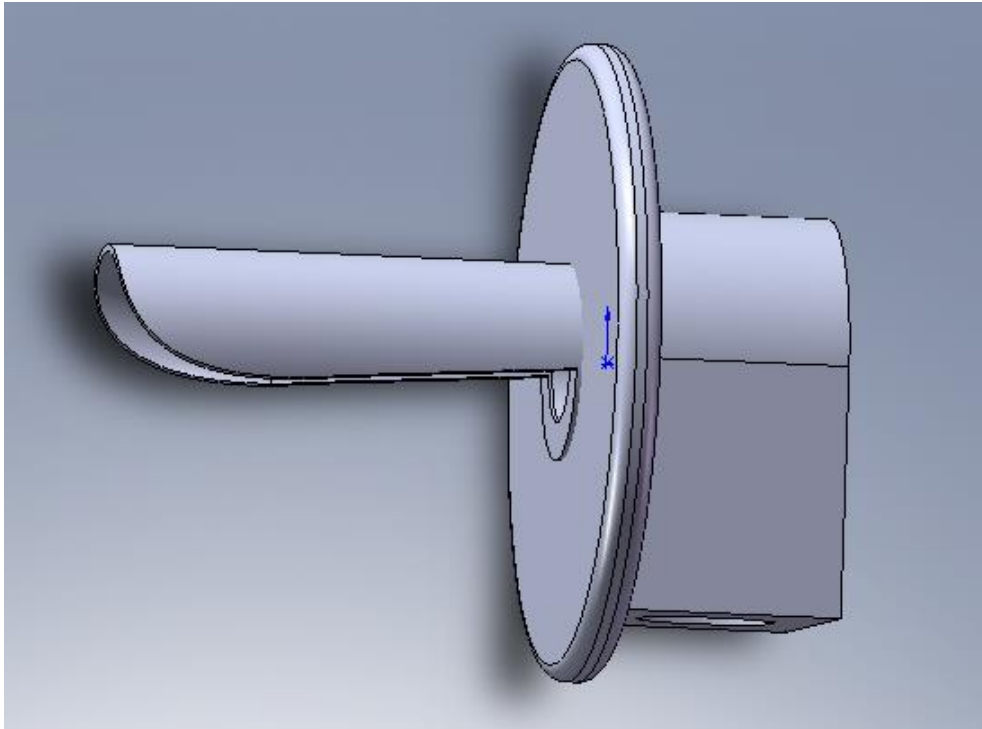


Signalist Signal Head



LED searchlight signal head manual

Overview

The Signalist signal heads are available in various styles of searchlight signal optimised for use with the Signalist SC1 signal decoder. Those that are fitted with a LED have a common anode PLCC4 RGB LED which incorporates red, green and blue LEDs whose colours can be mixed to make almost any visible colour. Westinghouse 4-aspect heads have an additional yellow LED in the top lamp housing connected in place of the blue LED in the lower lamp housing. No current limit resistors are fitted so if using a different signal decoder you may have to fit current limiting resistors.

Connection

The Signalist signal heads will typically have four wires. The yellow wire is the common anode, with the red, green and blue LEDs connected to their respectively coloured wires. The Westinghouse 4-aspect head has the second yellow LED connected to the blue wire. Westinghouse heads can be supplied with RGB LEDs in both lamp housings if required to make colour matching easier where each lamp will have its own set of four wires.

Mounting

Signalist signal heads have a 2.5mm diameter hole in the base of the lamp housing which can be fitted on top of a piece of 2.5mm diameter tube.

Support

If you need any support on things covered in this manual or for things that have not been covered interactive support is available on the Signalist web site where you will find a link to the Signalist support forum:-

<http://signalist.co.uk/>

Signalist signal head manual Rev 1

© Paul Harman 2014 all rights reserved