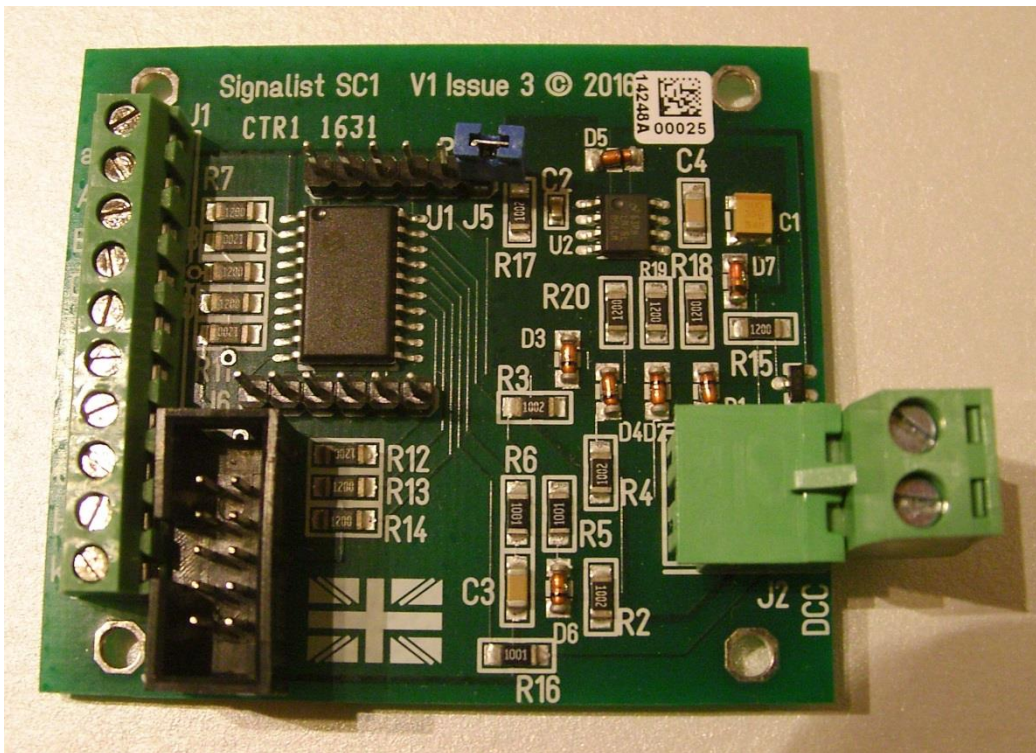


Signalist SC1



DCC signal controller user manual
Covers configuration for North American
signals

Contents

Contents.....	2
Overview	3
Connections and configuration.....	3
Ribbon cable signal connection	4
DCC track connection.....	6
2-aspect signal connections.....	7
3 or 4-aspect with individual lamps	8
2/3-aspect searchlight	9
4-aspect searchlight.....	10
Multi-head searchlight.....	11
Amtrak position light	12
Pennsylvania Rail Road Position light	13
Baltimore and Ohio.....	14
Norfolk and Western position light	15
Configuration of the SC1.....	16
DCC decoder address configuration	16
Setting the signal type	18
Setting the signal polarity	20
Setting the default state	20
Setting the brightness of individual LEDs.....	20
Special effects	20
Operation.....	22
General.....	22
2-aspect.....	22
3-aspect or 4-aspect (except CV38 = 7, 8, 11or extended accessory protocol).....	23
3-aspect when CV38=8	23
3-aspect when CV38 = 7 or 11	24
Extended accessory protocol	24
Extended accessory protocol when CV38 = 128 – 134 and 65-95.....	24
User defined aspects when CV38 = 135.....	25
Amtrak position light operation with extended protocol.....	25
ATSF Searchlight operation with extended protocol	25
Baltimore and Ohio position light operation with extended protocol	26
Canada multi-head operation with extended protocol	27

Chesapeake and Ohio operation with extended protocol.....	27
NORAC generic Searchlight operation with extended protocol	28
Norfolk and Western using extended protocol	29
Pennsylvania RR position light operation with extended protocol	30
Seaboard System Searchlight operation with extended protocol	30
UP and BNSF Searchlight operation with extended protocol.....	31
Other configurations not mentioned above.....	31
List of Configuration Variables.....	32
Configuration of automation software.....	34
Railroad & Co	34
JMRI	38
RocRail	44
Specification.....	52

Signalist SC1 user manual

Overview

The signalist SC1 is a highly versatile DCC accessory decoder optimised for driving LED based signals and will drive any LED based signal that will operate from a 5V supply. The SC1 does not require any external power supply and is simply powered from the DCC track supply. The SC1 can typically drive up to eight signal lamps or lamp groups in various configurations allowing the connection of most of the signal types found in North America (very complex installations with more than eight lamp groups may need more than one SC1). The flexible output configuration can drive searchlight signals using multicolour LEDs and position light signals. Configurations have been included to cover the complex speed signalling systems with the simple application of rules. Configuration of signal type and address is by standard programming of configuration variables on the DCC programming track connection from a command station or dedicated DCC programmer such as a Sprog. The address can be changed without requiring connection to the programming track.

My thanks go to the excellent [Railroad Signals of the US](#) website which is an excellent reference for the myriad of different signalling systems in use in both the USA and Canada.

Connections and configuration

The following section shows how to connect the SC1 to the signals and DCC system and covers basic configuration for each type of signalling. The diagrams all show common cathode wiring but if common anode signals are used the common wire should be

connected to terminal 'a' instead of terminal 'k' and output reversal with CV37 should be done to suit.

Single head installations are straightforward to connect but multi-head signals need to be connected in a specific way depending on type if the Signalist SC1 is to convert the railroad rules in to aspect displays. You will need to connect the heads as individual signals if you are using turnout addresses for your signals rather than extended accessory signal addresses.

Ribbon cable signal connection

The issue 3 version of the SC1 additionally has a new J3 connector in addition to the terminal block for the connection of signals using a 10-way ribbon cable. Connections to J3 are shown in the diagrams below. This connector is compatible with the Digitrax SMBK signal mast base or Signalist plug-in signal base for quick signal wiring. Figure 2 shows J3 pinout with letters showing the typical LED colour and the ribbon wire colours are shown too. If you are connecting a pair of identical masts wired for connections A-D you can twist the ribbon as shown in Figure 4 (typically used when removing the top head from a pair of Digitrax SMBK bases). If you have four identical 2-aspect or 3-aspect masts wired to just A and B use the figure 5 ribbon cable wiring.

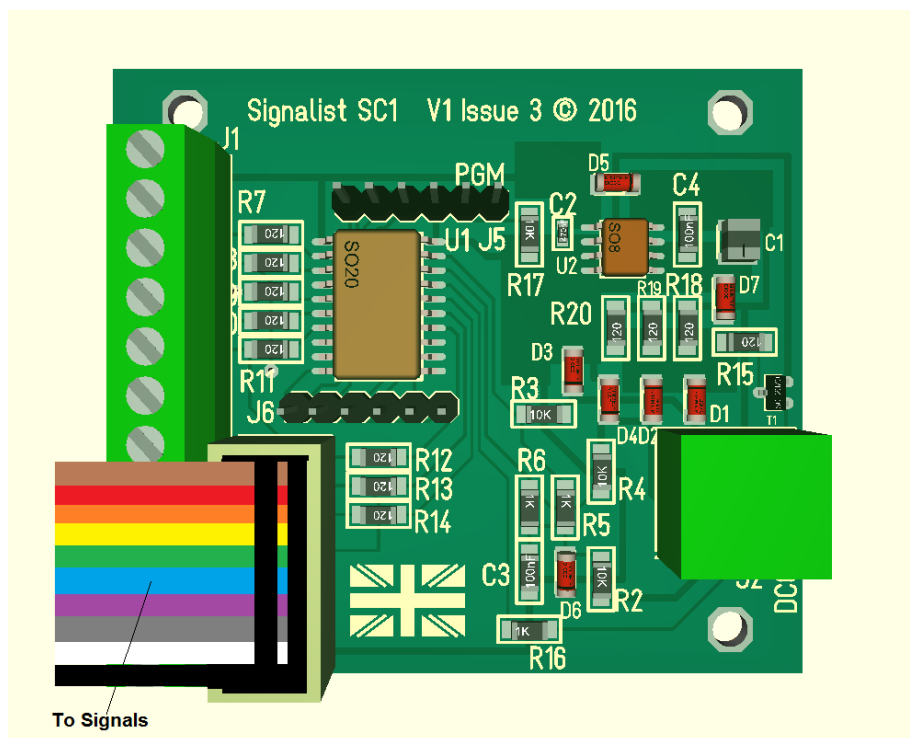


FIGURE 1 – J3 RIBBON CABLE TO SIGNALS

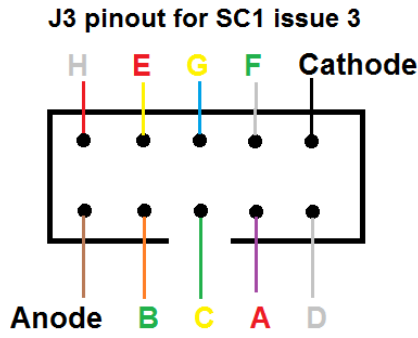


FIGURE 2 – PINOUT OF J3 CONNECTOR

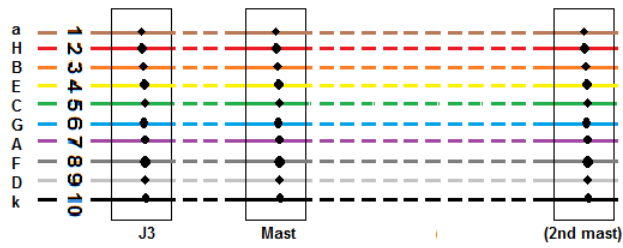


FIGURE 3 – STANDARD RIBBON CABLE WIRING

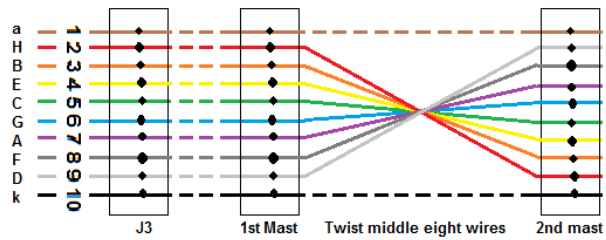


FIGURE 4 – RIBBON WIRING FOR TWO MASTS WIRED TO CONNECTIONS A-D

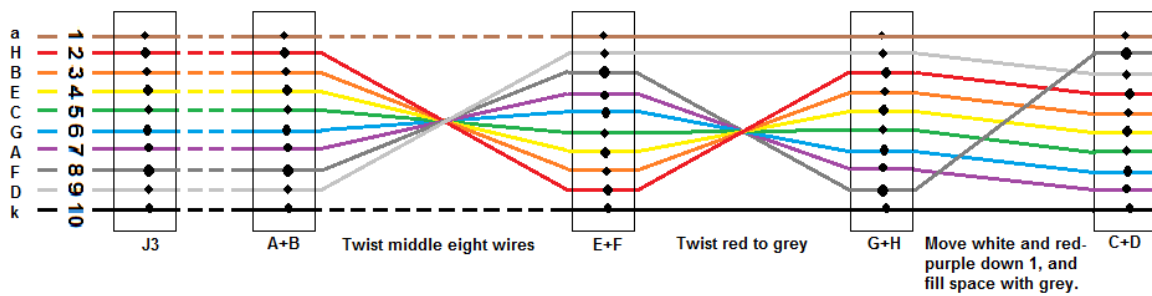


FIGURE 5 - RIBBON WIRING FOR FOUR MASTS WIRED TO CONNECTIONS A-B

DCC track connection

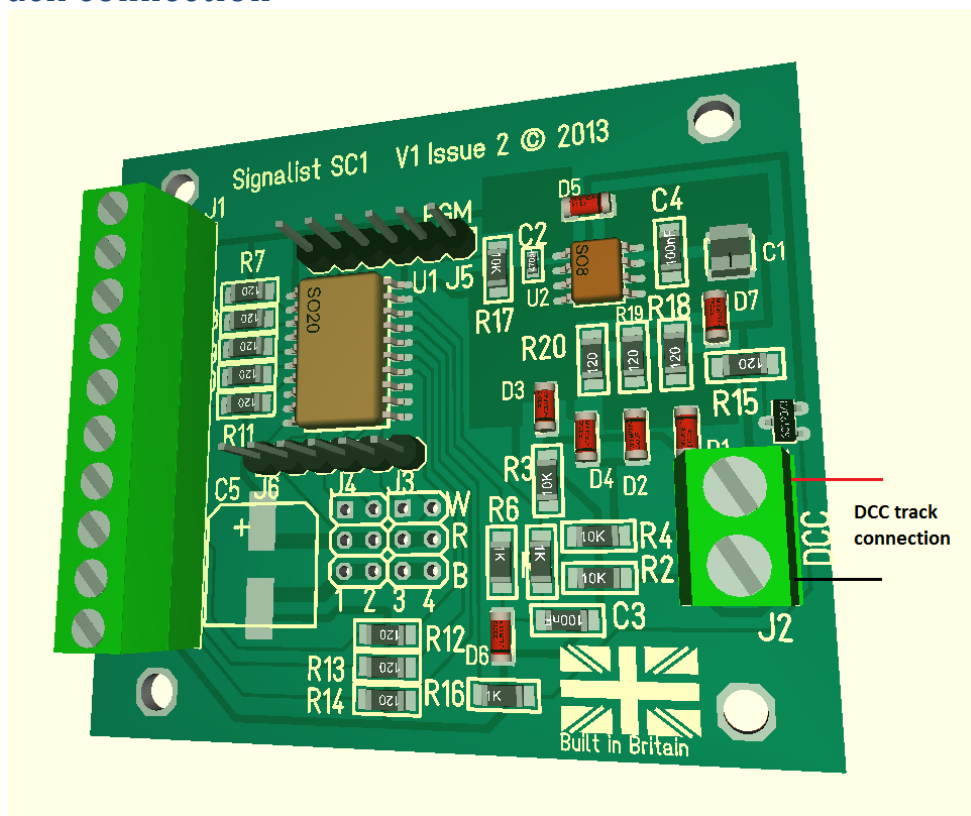


FIGURE 6

Only the DCC signal is required to control and power the SC1 via plug-in terminal block J2 which will normally be connected to the accessory bus for maximum reliability, but if you do not have a separate accessory bus it can be connected to the track bus or just to the track adjacent to the signal. The various options are shown in Figure 7.

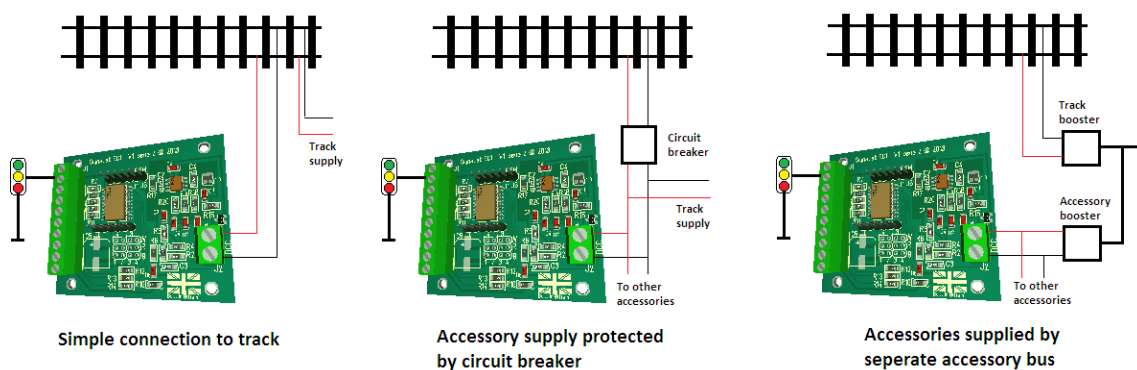


FIGURE 7

When programming the SC1, J2 will need to be connected to the programming track output of the command station instead of the normal track output connection.

2-aspect signal connections

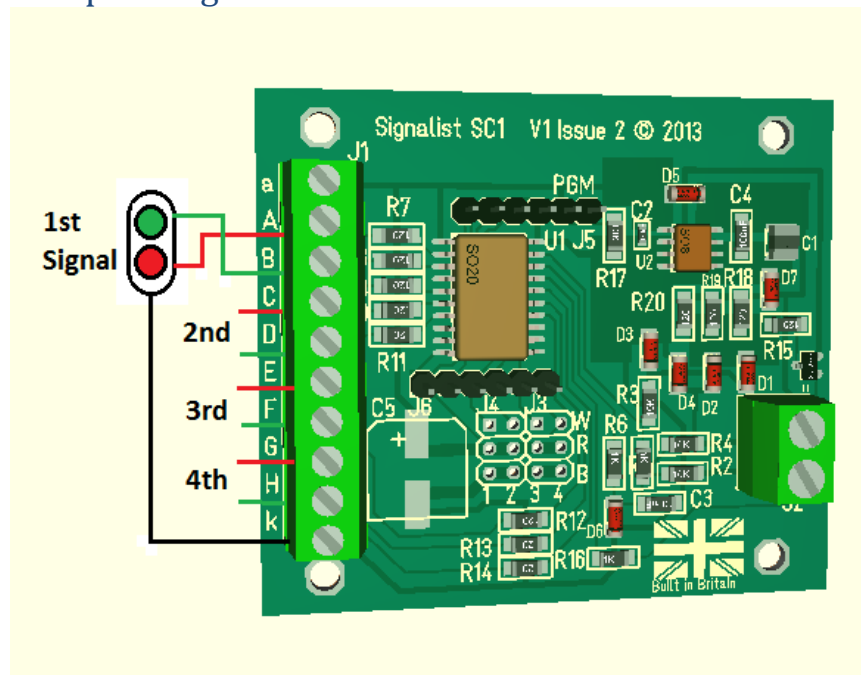


FIGURE 8

Up to four simple 2-aspect signals can be attached to the SC1. The first signal is shown in Figure 3 with the red LED connected to terminal 'A', the green LED connected to terminal 'B', and the common cathode wire connected to terminal 'k'. If a common anode arrangement is used in the signal the common anode connection can be made to the 'a' terminal. If a distant signal is used the yellow LED should be connected in place of the red LED shown in Figure 8.

It is possible to connect the two LEDs in inverse parallel between the A and B terminals if required and not use the common terminal to make the wiring simpler.

This configuration method is compatible with CV38=0 (and CV38=14 E+F and G+H only, CV38=6 G+H only) and CV38=129 (extended accessory protocol).

3 or 4-aspect with individual lamps

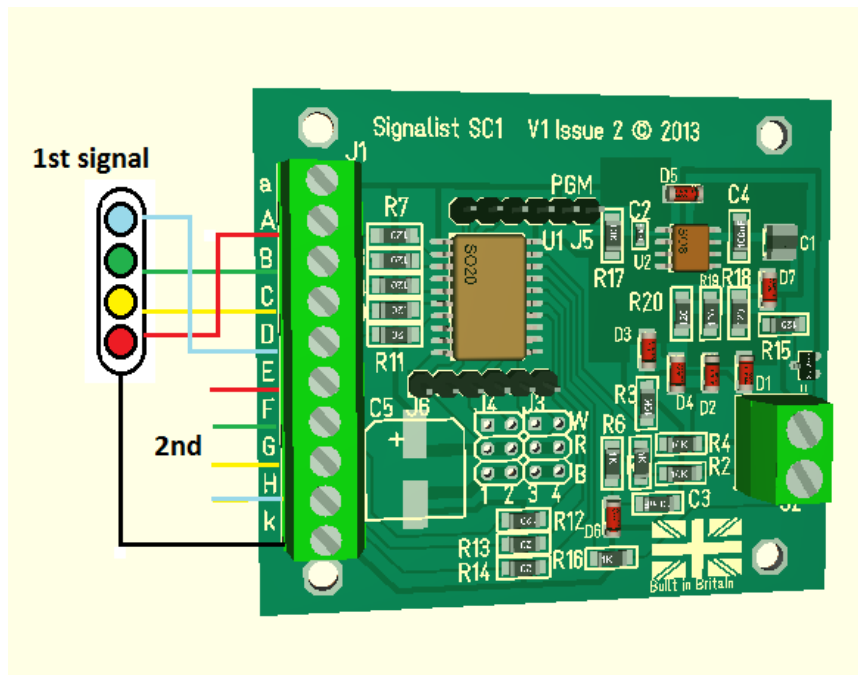


FIGURE 9

Two 3-aspect or 4-aspect signals can be connected to the SC1 as shown in Figure 9. If 3-aspect signals are used just omit the connection to the unused aspect and the signal will be dark instead. Use this configuration if creating a signal mast from individual heads rather than using a specific multi-head configuration.

This configuration method is fully compatible with CV38=64 or CV38=67 (extended accessory protocol).

2/3-aspect searchlight

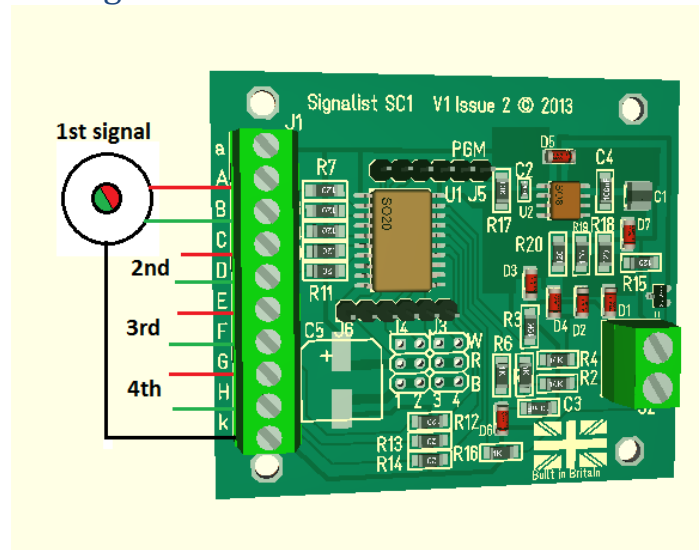


FIGURE 10

Up to four 2-aspect searchlight signals or 3-aspect searchlight signals can be connected to the SC1 as shown in Figure 10. 2-aspect searchlight signals may or may not have a common connection as shown in Figure 11, and if not there is no need to make a common connection. 3-aspect signals must have common anode or cathode.

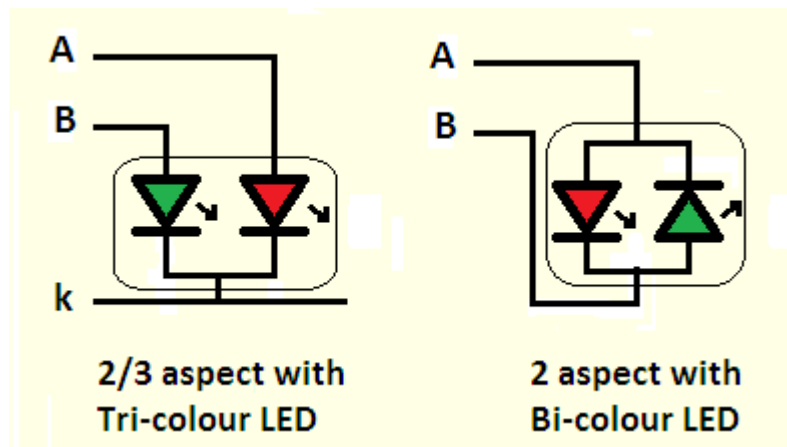


FIGURE 11

The yellow aspect is achieved by turning on both the red and green LEDs at once. Careful adjustment of the brightness CVs will enable the best yellow colour to be displayed. It is not possible to display Lunar as one of the aspects using this method.

This configuration can be used to connect the individual heads of a multihead searchlight mast if a specific multihead configuration is not being used.

This configuration method is compatible with CV38=0 (2-aspect only), CV38=8 (3-aspect) or CV38=129 (3-aspect extended protocol).

4-aspect searchlight

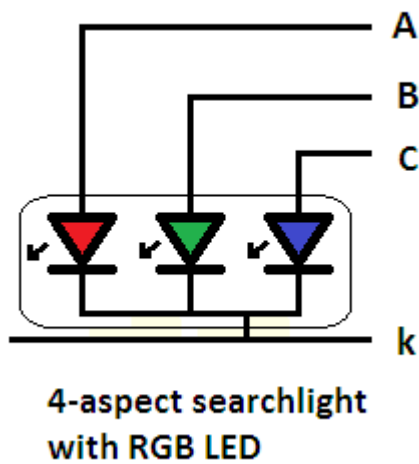


FIGURE 12

Up to two 4-aspect searchlight, (or two 3-aspect searchlight signals which include Lunar) can be connected to the SC1 as show in Figure 13. There is no connection to terminals 'D' or 'H'. Four aspect searchlights use an RGB LED where the red LED is illuminated for Red, green LED for Green, red and green LEDs for Yellow and all three red, green and blue LEDs for Lunar. It will be necessary to carefully adjust the brightness CVs 48-50 (and 52-54 for the second signal) to ensure that the correct colours are displayed adjusting for Green first (CV 49) then Yellow (CV48) then Lunar (CV50).

Prototypically most searchlights can only display three of the four available aspects so you will need to make sure that your control system does not display any aspect that should be unavailable. Masts that are described 'restricting' will usually be the ones requiring a lunar aspect.

This configuration method is compatible with CV38=4 and CV38=132 (extended protocol).

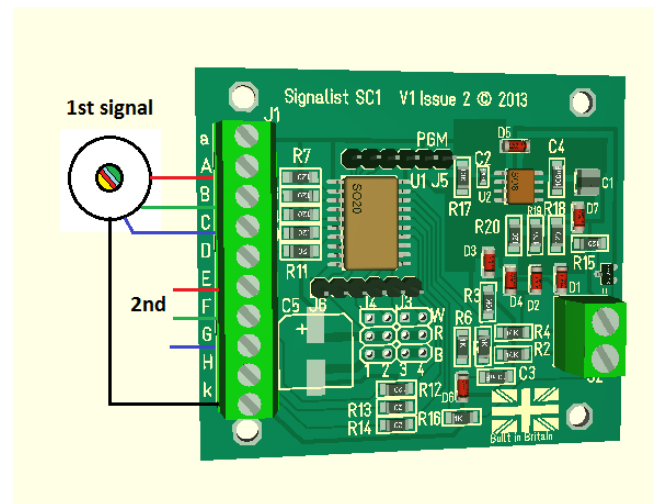


FIGURE 13

Multi-head searchlight

There are several different ways that multi-head searchlight signals can be connected to the SC1 depending on which aspect patterns are required.

Triple head searchlight without Lunar (Multihead type 'A')

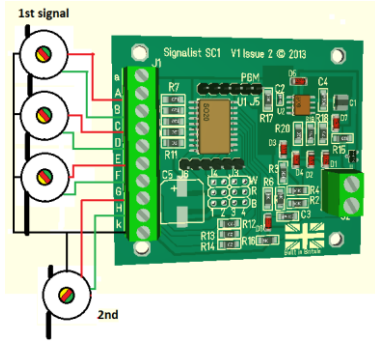


FIGURE 14

Triple head searchlight with top Lunar (Multihead type 'B')

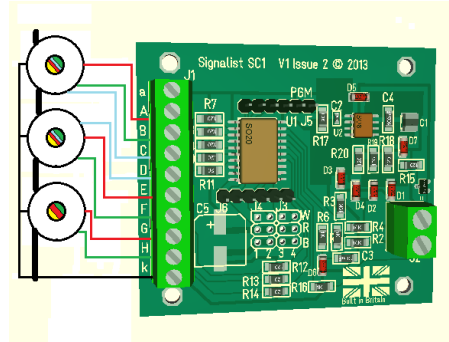


FIGURE 15

Triple head searchlight with bottom Lunar (Multihead type 'C')

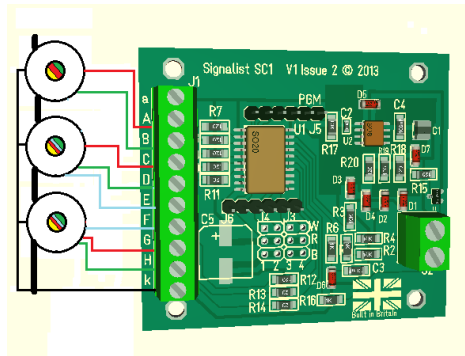


FIGURE 16

Double head searchlight without Lunar (Multihead type 'D')

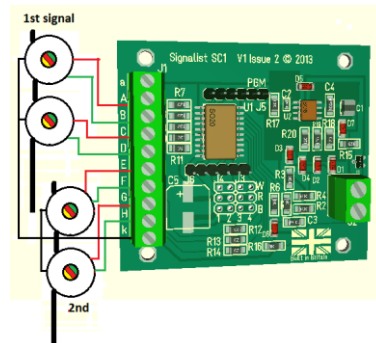


FIGURE 17

Double head searchlight with 2x Lunar (Multihead type 'E')

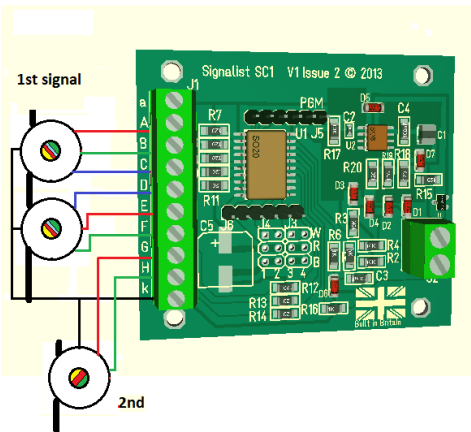


FIGURE 18

Double head searchlight with bottom Lunar (Multihead type 'F')

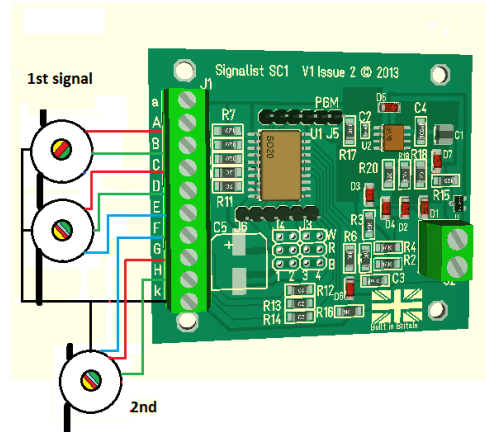


FIGURE 19

Multihead type 'A' shown in figure 14 is compatible with CV38=65 (Canada) and CV38=69 (Norfolk and Western).

Multihead type 'C' shown in figure 16 is compatible with CV38=76 (Union Pacific), CV38=79 (Seaboard) and CV38=81 (NORAC).

Multihead type 'D' shown in figure 17 is compatible with CV38=66 (Canada) and CV38=71 (Norfolk and Western).

Multihead type 'E' shown in figure 18 is compatible with CV38=70 (Norfolk and Western) and CV38=78 (Atchison, Topeka and Santa Fe).

Multihead type 'F' shown in figure 19 is compatible with CV38=77 (Union Pacific), CV38=80 (Seaboard) and CV38=82 (NORAC).

Amtrak position light

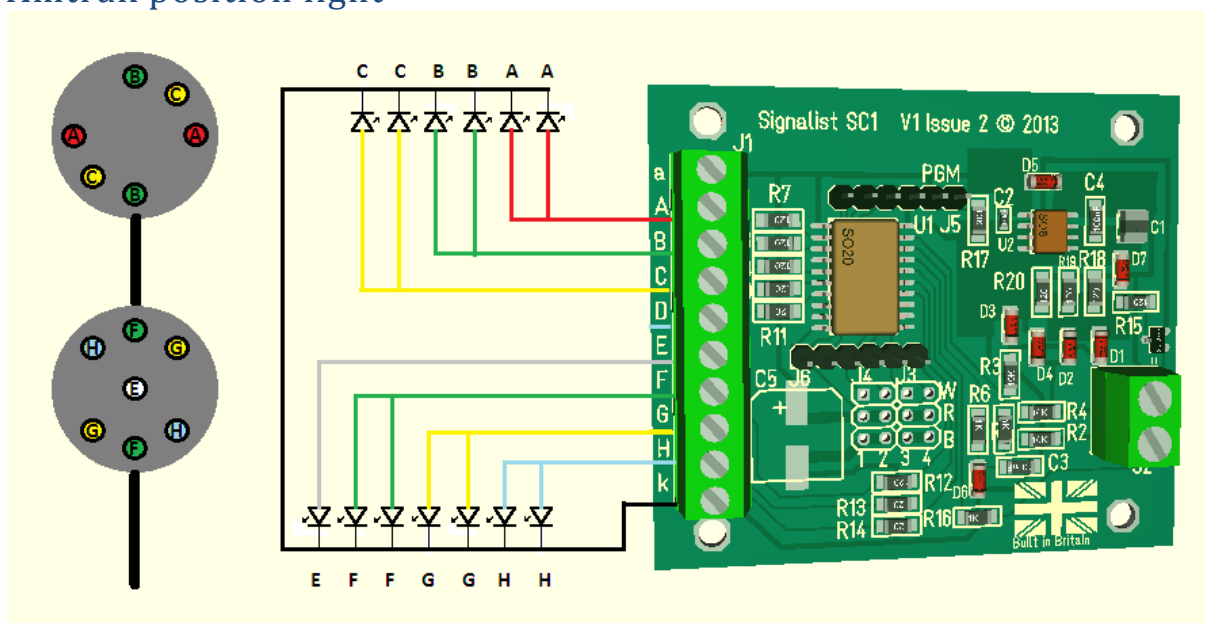


FIGURE 20

An Amtrak position light signal can be connected as in Figure 20. The brightness of the different coloured LEDs can be adjusted with CVs 48-55. This configuration is compatible with CV38=75.

Pennsylvania Railroad Position light

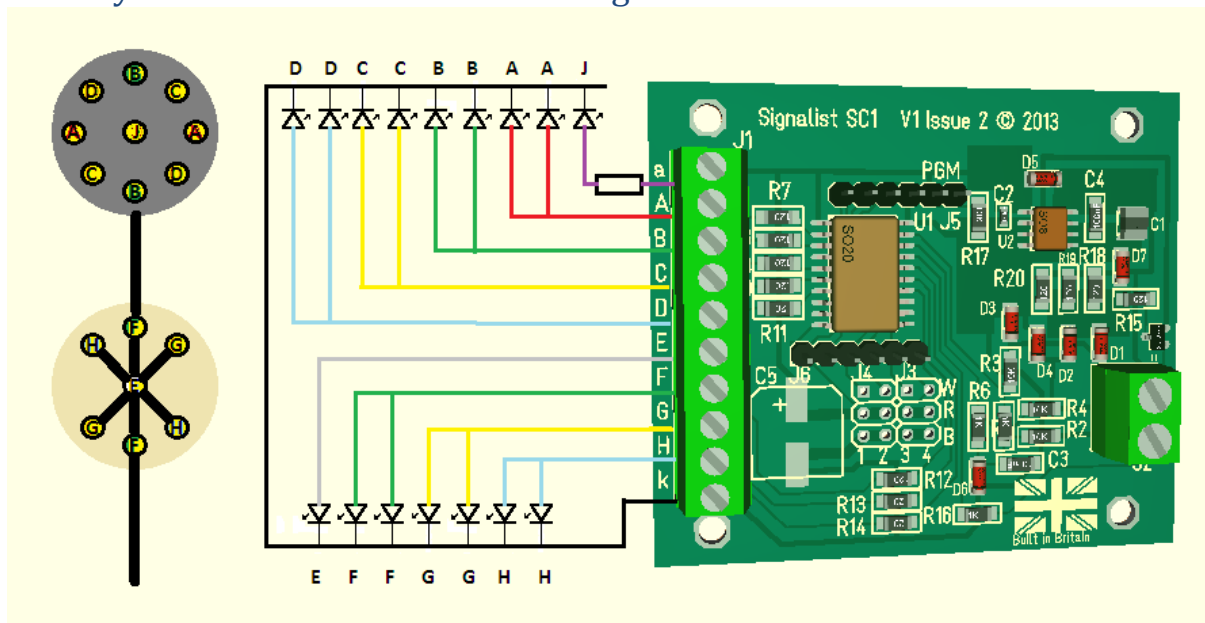


FIGURE 21

You can connect a PRR position light signal to the SC1 as shown in Figure 21. The permanently lit centre lamp 'J' is powered by a resistor with a value between 220R and 2K2 depending on how bright it needs to be – the other lamps' brightness can be adjusted by CVs 48-55 to match. A value of 470R will probably be a good place to start.

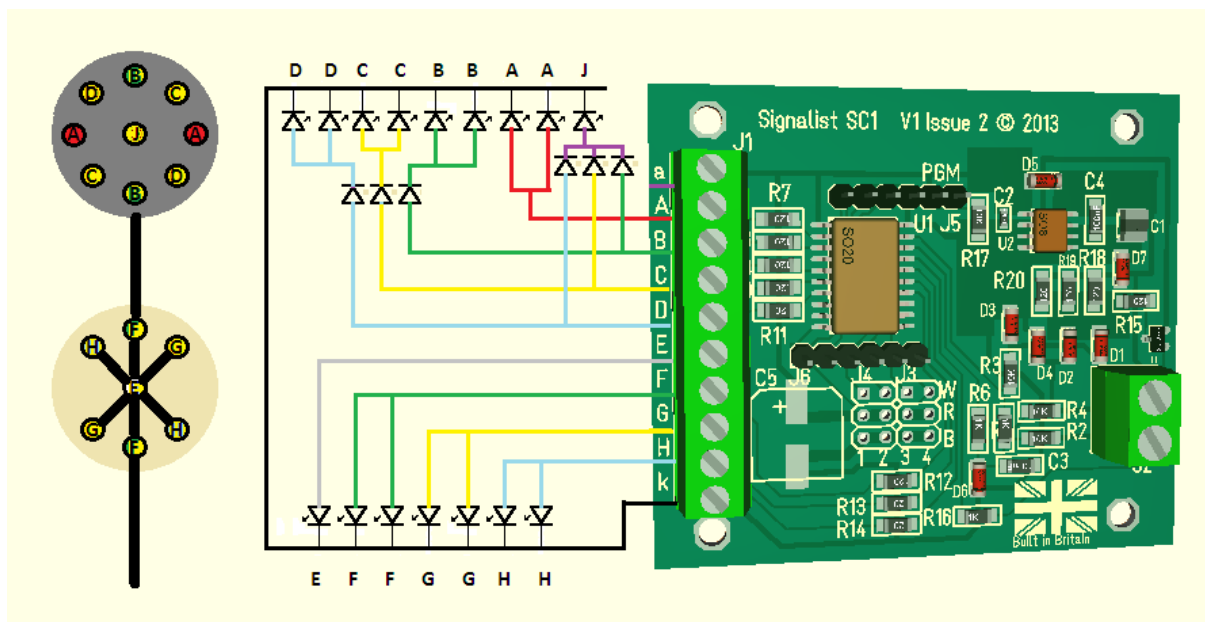


FIGURE 22

You can connect the more modern modified 'Devil eyes' version with red lamp 'A's as in Figure 22. There is no need for the resistor for the central lamp 'J' since it is not permanently lit, instead six diodes are used to generate the feed for the centre lamp. Configuration for both versions is compatible with CV38=74

Baltimore and Ohio

Full method

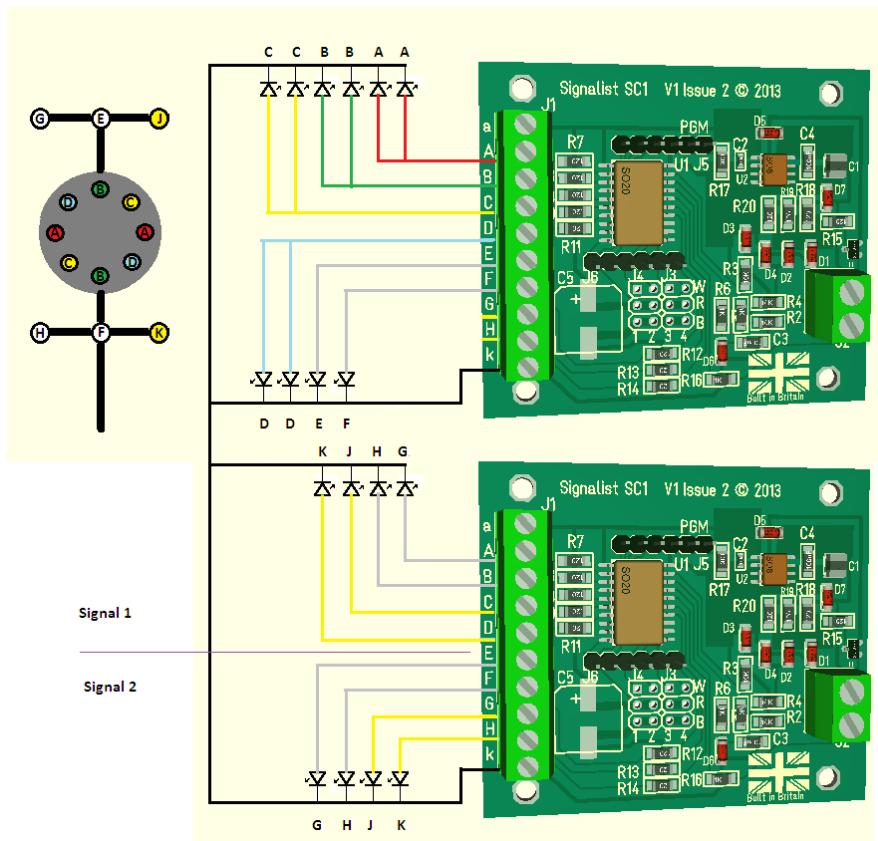


FIGURE 23

For a complete B&O position light signal one and a half SC1s are required to operate all ten lamp groups wired as shown in Figure 23. The first SC1 driving lamp groups A-F uses CV38=72, the second SC1 driving lamps G-K uses CV38=73

Partial method

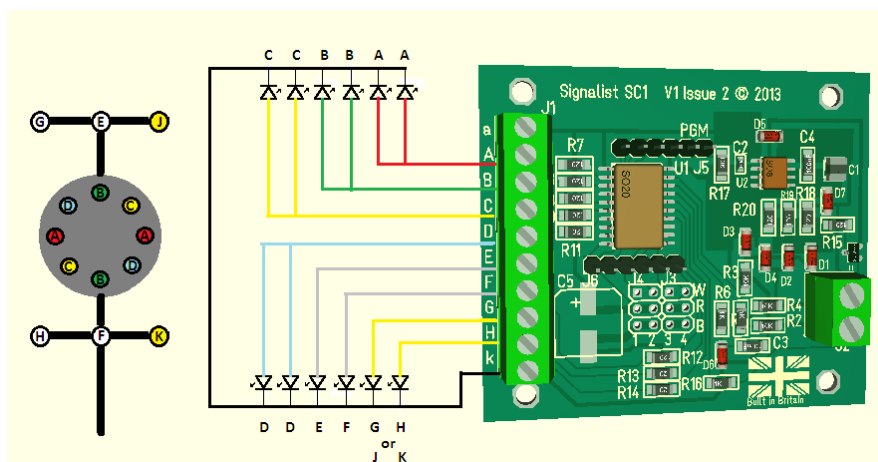


FIGURE 24

Most prototype B&O signal installations do not require that all possible speeds be signalled through an interlocking and therefore do not use all of the marker lamps, and in most cases the unused lamps are not fitted. A reduced installation can be made using only one SC1 as shown in Figure 24 as long as either of one of the pairs J and K or G and H are not connected. The full method shown above allows any speed to be signalled through an interlocking but with the partial method you will be able to signal line speed but have to decide between being able to signal Limited and Medium speed with white lamps G and H or Slow speed with yellow lamps J and K. This partial method is compatible with CV38=72.

Norfolk and Western position light

Colour position light

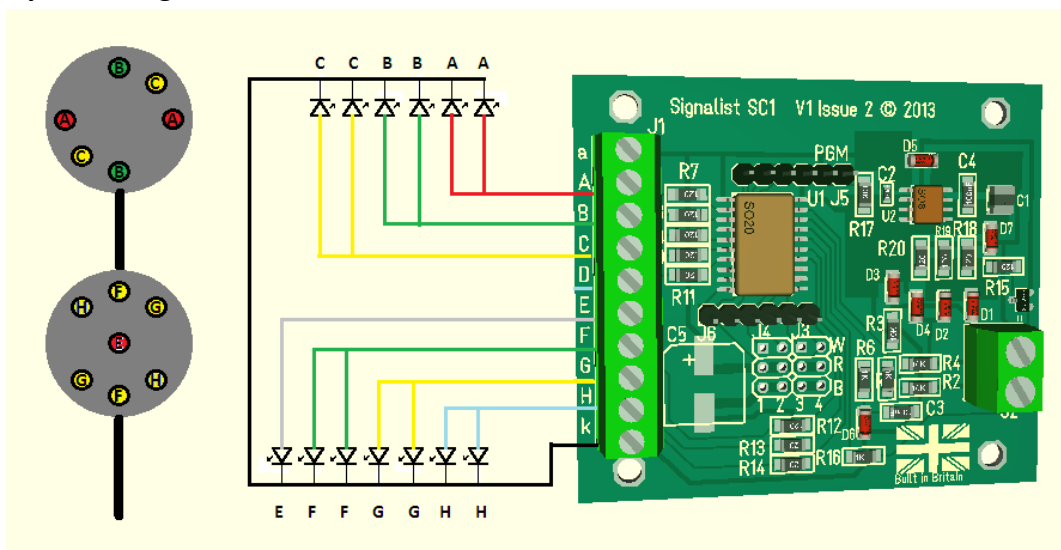


FIGURE 25

A Norfolk and Western colour position light signal can be connected to the SC1 as shown in Figure 25. This configuration is compatible with CV38=68.

Configuration of the SC1

Configuring the SC1 is quite straightforward and may be as simple as just setting the DCC address but you will probably want to make a few more adjustments for full functionality.

DCC decoder address configuration

The SC1 occupies a contiguous block of up to eight addresses and can be set to use any accessory address or extended accessory address. The base address is set in CV1 and CV9. The SC1 supports both decoder address mode and output address mode. The address mode can be changed with CV29.

Setting the address with decoder address mode (default) when CV29=128

With the default setting of CV29=128 and CV9=0 it is possible to simply set the decoder address to any address between 1 and 63 by writing the decoder address to CV1. This will allow the use of accessory addresses 1-252. If accessory addresses are required outside this range it will be necessary to change CV9 as well.

The values of CV1 and CV9 can be calculated from the following formula:-

$$\text{First accessory address} = \text{CV9} \times 256 + \text{CV1} \times 4 - 3$$

With CV29 set to 128 values of CV1 above 63 are not allowed, and 63 will not work for configurations that use more than four addresses. CV9 can have values 0-7, values above 7 are not allowed.

See note overleaf about variations in addressing used in some command stations.

Setting the address with output address mode when CV29=192

If you change CV29 from the default to 192 the effect of CV1 will change. With CV9=0 it is now possible to write a value between 1 and 255 to CV1 which will allow the use of accessory addresses 1-258. If accessory addresses are required outside this range it will be necessary to change CV9 as well.

The values of CV1 and CV9 can be calculated from the following formula:-

$$\text{First accessory address} = \text{CV9} \times 256 + \text{CV1}$$

CV9 can have values 0-7, values above 7 are not allowed. With CV29 set to 192 CV1 can have any value between 1 and 255, but values above 248 will not work for some configurations.

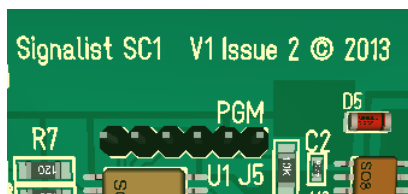
See note overleaf about variations in addressing used in some command stations.

Setting the address automatically

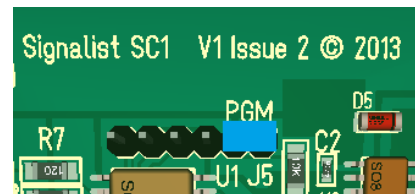
It is possible to set the decoder address automatically using the PGM jumper (shown in Figure 26). To set the address automatically use the following steps.

1. Power off the SC1.
2. Fit the PGM jumper to pins 1 and 2 of J5.
3. Power on the SC1.
4. Operate the desired base address on your command station to both Normal and reverse.
5. Power off the SC1.
6. Remove the PGM jumper.
7. Power on the SC1

The address will now be set in CV1 and CV9 in output address mode with CV29 set to 192. The decoder will respond to up to eight contiguous addresses starting with the one that was operated. The jumper must be removed for normal operation.



Normal operation



Jumper fitted for programming

Figure 26 - PGM jumper J5 location

Important note: - Many command stations and some software applications do not follow the NMRA accessory numbering scheme, so it is important to be aware that setting the address CVs according to the NMRA formulae used above may not work and some addresses may not be accessible. Lenz, ESU and ZTC are notable in this respect and you will need to make allowance. Some systems can only operate a subset of the accessory range, often limited to addresses below 256 or below 1024 so this may need to be taken in to account also before choosing addresses. If you are not sure how the addressing works on your system use the automatic address setting mode with the PGM jumper.

Setting the signal type

The SC1 needs to be configured to match the signal type that is connected to the J1 terminals and the protocol used by adjustment of CV38. By default CV38 is set to zero which allows the connection of up to four 2-aspect signals using standard accessory (turnout) addresses. Table 1 shows the different settings allowed in CV38.

CV38	Signal type
0	4x 2-aspect
1	2x 3-aspect or 4-aspect (UK)
2	2x 2-aspect with a feather (UK)
3	1x 3-aspect or 4-aspect (UK) with 3x feathers
4	2x 3-aspect searchlight or 4-aspect searchlight (R/Y/G/L)
5	1x 3-aspect or 4-aspect searchlight with 3x feathers
6	1x 3-aspect or 4-aspect(UK) (A-D) with feather (E, F) + 1x 2-aspect (G, H)
7	2x 4-aspect (UK) allowing dark and flashing aspects
8	8x individually controlled outputs (4x 3-aspect searchlight)
9	2x 3-aspect with a feather (UK)
10	2x 4-aspect searchlight with a feather (UK)
11	2x 3-aspect or 4-aspect (UK) allowing easy manual control
12	4x pairs on together (for level crossing etc.)
13	2x triplets on together (for SPAD indicator etc.) (A-C and D-F)+ pair (G and H)
14	3-aspect or 4-aspect (UK) (A-D) + 2x 2-aspect (E-F and G-H)
15	Eight Dapol semaphore signals (requires DP8 adaptor board)
64	2x 4-aspect R/G/Y/L with individual lamps
65	Canada CROR 3-head searchlight + 1-head searchlight using extended protocol
66	Canada CROR 2x 2-head searchlight using extended protocol
67	2x 4-aspect R/G/Y/L with individual lamps using extended protocol
68	N&W 2-disc colour position light using extended protocol
69	N&W 3-head searchlight + 1-head searchlight using extended protocol
70	N&W 2-head searchlight + 1-head searchlight using extended protocol
71	N&W 2x 2-head searchlight (no lunar aspects) using extended protocol
72*	B&O Disc and markers using extended protocol
73*	B&O 2x supplementary markers using extended protocol

CV38	Signal type
74	PRR Disc and Star position light using extended protocol
75	Amtrak double disc colour position light using extended protocol
76**	UP/BNSF 3-head searchlight using extended protocol
77**	UP/BNSF 2-head searchlight + 1-head searchlight using extended protocol
78	ATSF 2-head searchlight + 1-head searchlight using extended protocol
79	Seaboard System 3-head searchlight using extended protocol
80	Seaboard System 2-head searchlight + 1-head using extended protocol
81	NORAC 3-head searchlight using extended protocol
82	NORAC 2-head searchlight + 1-head searchlight using extended protocol
83*	C&O triple head using extended protocol
84*	C&O double head + 2-aspect head using extended protocol
128	2x 4-aspect (UK) using extended accessory protocol
129	4x 3-aspect searchlight using extended accessory protocol
130	2x 3-aspect with feather (UK) using extended accessory protocol
131	2x 4-aspect searchlight with a feather (UK) using extended accessory protocol
132	2x 4-aspect searchlight using extended accessory protocol
133	1x 3-aspect or 4-aspect (UK) with 3x feathers using extended accessory
134	1x 4-aspect searchlight with 3x feathers using extended accessory protocol
135	Single signal with user defined aspects using extended accessory protocol

TABLE 1

* Requires V0.30 firmware or later for current aspect table used in this manual

** Requires V0.33 firmware or later for current aspect table used in this manual

Setting the signal polarity

By default the SC1 is configured to work with signals that are wired for common cathode. If common anode signals are used it will usually be necessary to invert the outputs by setting CV35=255. Each output is separately configurable by a single bit in CV35 so it is possible to use a mixture of common anode and common cathode if required.

Setting the default state

By default the signals will be dark (no aspect showing) when the decoder is reset. It is possible to configure which aspect is shown at reset by changing the value of CV37. Typically it will be desirable for signals to show clear (automatic block signals) or stop (controlled signals) when the SC1 is reset until it receives commands to set the aspects. Each bit of CV37 maps to an output, bit 0 = output 'H', bit 1 = output 'G' etc. so by setting each bit you can set the relevant LED to be on. Typical values that might be used are CV37 = 136 for a pair of 4-aspect signals to start up on red, or CV37 = 85 for four 2-aspect signals to start up green.

Setting the brightness of individual LEDs

Each output can have its brightness adjusted independently. The default setting of maximum brightness can result in up to 25mA LED current which in many cases will result in the LED being much brighter than is prototypically correct. Different coloured LEDs will behave differently so may appear to be brighter than other similar LEDs of a different colour.

It is possible to simulate a LED series resistor in the range of 120 Ohms (the default) to around 2K Ohms by adjusting the value of the brightness CVs 48-55. CV48 allows the adjustment of the brightness of output 'A', CV49 output 'B' etc. If it is found that values lower than 16 are required it may be beneficial to add a 2.2K Ohms or larger series resistor to the output to prevent the visible flicker which can occur when very low values are being used in these CVs.

Careful adjustment of the red and green (and blue) brightness values can help to adjust the shade of yellow (and lunar) present on searchlight signals. On signals where some lamps are grouped on a single output the outputs with single lamps will need to be dimmed to match.

Special effects

While not relevant to signals specifically it is possible to make use of spare outputs on the SC1 for animating the lights on static scenic items. The rotating beacon or flashing strobe effects can be very effective on parked emergency or breakdown vehicles, and the gently flickering oil lamp effect can be handy to illuminate the spectacle plate of semaphore signals more realistically or perhaps some workman's road lamps.

Any unused outputs can be configured to turn on at reset with CV37, and the special effect can be configured with CVs 56-63. CV56 is for output 'A', CV 57 is for output 'B' etc. See Table 2 for the effect assigned to each configuration value. CV38=8 can be useful to control eight individual LED accessories with the SC1.

Value in CV56-63	Effect
0	Always on (default)
1	MARS light
2	Flickering oil lamp
3	Flashing light
4	Single flash xenon strobe
5	Double flash xenon strobe
6	Rotating beacon ('Fuzz' light)
7	Gyralight
8	Fade up and down flashing phase 1
9	Fade up and down flashing phase 2
12	Flashing light (alternate to 3)
14	Flashing portable battery warning light

TABLE 2

Operation

General

When any aspect is changed on the SC1 the new state is stored in non-volatile memory so that it can be recovered in the event of a power failure and the aspects will be displayed when power is restored as if nothing has happened.

When the SC1 is reset by a DCC reset packet it will load up the default aspect settings stored in CV37. A decoder reset packet is typically sent by the command station following operation of the emergency stop button and when powering up the command station.

2-aspect

Each 2-aspect signal occupies a single accessory (turnout) address. Operation is by simply toggling the accessory between normal or straight (clear) and reversed or thrown (Red or Yellow for a distant signal).

Operation can be by manual control from a hand controller or automatic from the command station (perhaps using layout automation software or route setting).

State	Home	Distant
Normal	Red	Yellow
Reverse	Green	Green

TABLE 3

If used with JMRI the signal head type is Single Output.

3-aspect or 4-aspect (except CV38 = 7, 8, 11 or extended accessory protocol)

Each 3-aspect or 4-aspect signal occupies two consecutive accessory (turnout) addresses. The lower address toggles between red or green and yellow or lunar while the higher address toggles red or yellow and green or lunar. On 3-aspect signals the lunar aspect will display as yellow or dark depending on the signal type. The second signal will use base+2 and base+3 or for configurations with a feather base+3 and base+4.

Base state	Base+1 state	Aspect
Normal	Normal	Red
Reverse	Normal	Green
Normal	Reverse	Yellow
Reverse	Reverse	Lunar

TABLE 4

3-aspect when CV38=8

Each 3-aspect signal occupies two consecutive accessory (turnout) addresses. The lower address operates the red LED and the higher address operates the green LED according to Table 5.

Base state	Base+1 state	Feather
Normal	Normal	Dark
Reverse	Normal	Red
Normal	Reverse	Green
Reverse	Reverse	Yellow

TABLE 5

3-aspect when CV38 = 7 or 11

This setting is available in order to allow for the extra flashing red, yellow, or green aspect to be displayed and to make manual operation of 3-aspect signals much simpler. Each of the aspects is assigned to its own accessory address and reversing that address will cause that aspect to be displayed regardless of the previous aspect. This makes for very quick manual operation compared to the other methods. Setting the addresses to normal will extinguish the signal making it dark. Automation software such as JMRI uses this method to create the flashing aspects by alternating between dark and on. There is no truth table for this method since the aspect displayed is simply the last one selected as shown in Table 6.

State	Aspect
Normal (all)	Dark*
Reverse base	Red
Reverse base+1	Green
Reverse base+2	Yellow

*NOTE CV38=7 only

TABLE 6

If used with JMRI signal type is triple Output where Green output is base+1, Yellow output is base+2, Red output is base. The second signal uses base+4, base+5 and base+6.

Extended accessory protocol

The extended accessory protocol allows multi-aspect signals to be set using a single command on command stations that support it (Sprog, Digitrax, NCE and EasyDCC support the extended accessory protocol). Each signal occupies just a single signal address regardless of its number of aspects or heads instead of a group of turnout addresses. The extended protocol allows a larger number of signals to be controlled and reduces the number of commands required to set the aspects while flashing aspects are managed within the decoder. The reduced data overhead and freeing of addresses can be a real boon on a large layout where response to commands will be significantly improved with upwards of 90% reduction in signal control packets possible.

To use the Extended protocol in JMRI use the 'DCC Signal Decoder' driver. In Rocrail use the 'Aspect numbers' control method.

Extended accessory protocol when CV38 = 128 – 134 and 65-95

These settings are available in order to allow the use of extended accessory protocol. For most configurations where individual signal heads are used aspect numbers are Red (0), Green (2), Yellow (1), Lunar (3), Flashing Red (4), Flashing Green (6), Flashing Yellow (5), Flashing Lunar (7) and Dark (8). For rules based multi-head installations the aspect numbers relating to the applied rules are detailed in the specific rulebook section. Unused aspect

values will generally show as dark but in some situations may display as an alternative aspect.

User defined aspects when CV38 = 135

You can create your own multi-aspect signal definition with up to eight steady lamps and up to 32 aspects when CV38=135. The aspects are stored consecutively in CV 192-223 where CV192 is aspect 0, CV193 aspect 1 etc. The eight bits of each aspect CV correspond with the eight outputs where bit 0 is output H, bit 1 is output G etc. This can be useful for creating unusual signals like a 7-segment theatre display for instance or an unusual multi-head installation.

Amtrak position light operation with extended protocol

Amtrak position lights can be controlled using the extended protocol according to the following rules when CV38=75. It is possible to have two single head signals with just the top head when CV38=67.

Amtrak Rule	Description	CV38=75 Aspect N°	CV38=67 Aspect N°	Aspect
292	Stop	0	0	R
-	Not used	1		
291	Stop and proceed	2		R W
290	Restricting	3		R L
288	Slow approach	4		R Y
286	Medium approach	5		R y
285	Approach	6	1	Y
284	Approach Slow	7		Y Y
283	Medium to Clear	8		R G
282A	Advance Approach	9	5	y
282	Approach Medium	10		Y G
281C	Limited to Clear	11		R g
281B	Approach Limited	12		Y g
281A	Cab speed	13	6	g
281	Clear	14	2	G
-	Dark	15	8	

Key R=Red, G=Green, g=Flashing Green, Y=Yellow, y=Flashing Yellow, L=Lunar, W=White.

TABLE 7

ATSF Searchlight operation with extended protocol

Atchison, Topeka and Santa Fe searchlights can be controlled using the extended protocol according to the following rules when CV38=78.

ATSF Rule	Description	Aspect N°	Double head when CV38=78	Single head when CV38=78
241/2	Stop (alt 1)	0	R R	R
241/2	Stop (alt 2)	1	R -	R
240	Restricting (alt 1)	2	R r	r
240	Restricting (alt 2)	3	R L	r
238	Diverging App. (alt 1)	4	R y	-
238	Diverging App. (alt 2)	5	R Y	-
237	Diverging Clear	6	R G	-
236	Approach (alt1)	7	Y R	Y
236	Approach (alt2)	8	Y -	Y
235	Approach Restricting	9	Y L	-
234	Approach Med. (alt 1)	10	y R	y
234	Approach Med. (alt 2)	11	Y Y	y
232	Advance Approach	12	Y G	
231	Approach Limited	13	Y g	
230	Clear (alt 1)	14	G R	G
230	Clear (alt 2)	15	G -	G
-	Dark	16		

TABLE 8

Baltimore and Ohio position light operation with extended protocol

B&O Rule	Description	CV38=72 or 73 Aspect N°
292	Stop	0
291	Restricted proceed	1
290	Restricting	2
288	Slow approach	3
287A	Slow approach slow	4
287	Slow clear	5
286	Medium approach	6
285	Approach	7
284	Approach Slow	8
283B	Medium approach slow	9
283A	Medium approach medium	10
283	Medium to Clear	11
282	Approach Medium	12
281C	Limited to Clear	13
281B	Approach Limited	14
281	Clear	15
-	Dark	16

TABLE 9

B&O position lights with markers can be controlled using the extended protocol as shown in the table above.

Canada multi-head operation with extended protocol

Simple installations might only need single head searchlights as described in the previous sections, but most of the rules require double or triple head indications. To simplify operation it is possible to group multi-head installations on the SC1 and operate them as a group using the extended accessory protocol according to the following table.

CROR Rule	Description	Aspect N°	Triple (A-F) CV38=65	Double CV38=66	Single (G+H) CV38=65	Aspect N°	Single CV38=129
437/39	Stop	0	R R R	R R	R	0	R
438	Take siding	1	R R r	R r	r	4	r
430/36	Restricting	2	R R Y	R Y	R	0	R
429/35	Slow to stop	3	R R y	R y	-	8	-
434	Slow to slow	4	R y y	-	-	8	-
433	Slow to Medium	5	R y G	-	-	8	-
432	Slow to Limited	6	R y g	-	-	8	-
428/31	Slow to Clear	7	R R G	R G	-	8	-
427	Medium to stop	8	R Y R	-	-	8	-
426	Medium to restricting	9	R Y r	G r	-	8	-
425	Medium to Slow	10	R G y	-	-	8	-
424	Medium to medium	11	R G G	-	-	8	-
423	Medium to Limited	12	R G g	-	-	8	-
422	Medium to Clear	13	R G R	-	-	8	-
421	Limited to stop	14	R y R	-	-	8	-
420	Limited to restricting	15	R y r	g r	-	8	-
419	Limited to Slow	16	R g y	-	-	8	-
418	Limited to Medium	17	R g G	-	-	8	-
417	Limited to Limited	18	R g g	-	-	8	-
416	Limited to Clear	19	R g R	-	-	8	-
415	Adv. clear to stop	20	y R R	y R	y	5	y
414	Adv. clear to slow	21	y Y R	y Y	-	8	-
413	Adv. clear to medium	22	y G R	y G	-	8	-
412	Adv. clear to limited	23	Y g R	Y g	-	8	-
411	Clear to stop	24	Y R R	Y R	Y	1	Y
410	Clear to restricting	25	Y R r	Y r	-	8	-
408/09	Clear to Slow	26	Y Y R	Y Y	-	8	-
407	Clear to Medium	27	Y G R	Y G	-	8	-
406	Clear to limited	28	Y g R	Y g	-	8	-
405	Clear	29	G R R	G R	G	2	G
-	Dark	31	- - -	- -	-	8	-

TABLE 10

Chesapeake and Ohio operation with extended protocol

C&O multi lens signals can be controlled using the extended protocol according to the following rules when CV38=83 or 84. The lowest head on a three head signal cannot show both red and yellow therefore a choice has to be made whether rule 288 or 286 can be shown and either a red LED or yellow LED must be connected to the R/Y output. Similarly the single head will be a two lens signal that can only display red or green.

C&O Rule	Description	Aspect N ^o	Triple head when CV38=83	Double head when CV38=84	Single head when CV38=84
292	Stop	0	R R -	R R	-
291	Stop and Proceed	1	R - -	R -	R
290	Restricting	2	R Y -	R Y	-
288	Slow Approach	3	R Y R	--	-
287	Slow Clear	4	R R G	--	-
286	Medium Approach	5	R Y Y	--	-
285	Approach (alt 1)	6	Y R -	Y R	-
285	Approach (alt 2)	7	Y R -	Y -	-
284	Approach Slow	8	Y Y -	Y Y	-
283B	Medium App. Slow	9	R Y G	--	-
283A	Medium App. Medium	10	R Y g	--	-
283	Medium Clear	11	R G -	R G	-
282	Approach Medium	12	Y G -	Y G	-
281	Clear (alt 1)	13	G R -	G R	G
281	Clear (alt 2)	14	G R -	G -	G
-	Dark	15			

TABLE 11

NORAC generic Searchlight operation with extended protocol

North Eastern area searchlights can be controlled using the extended protocol according to the following rules when CV38=81 or 82. Some rules have alternate versions.

NORAC Rule	Description	Aspect N ^o	Triple head when CV38=81	Double head when CV38=82	Single head when CV38=82
291/2	Stop (alt 1)	0	R R R	R R	R
291/2	Stop (alt 1)	1	R R R	R -	R
290	Restricting (alt 1)	2	R R L	R L	L
290	Restricting (alt 2)	3	R R Y	R Y	L
288	Slow Approach	4	R R y	--	-
287	Slow Clear	5	R R G	--	-
286	Medium Approach	6	R Y R	R y	-
285	Approach (alt 1)	7	Y R R	Y R	Y
285	Approach (alt 2)	8	Y R R	Y -	Y
284	Approach Slow (alt 1)	9	Y R G	Y Y	-
284	Approach Slow (alt 2)	10	Y Y R	Y Y	-
283A	Medium App. Medium	11	R Y G	--	-
283	Medium Clear	12	R G R	R G	-
282A	Advance Approach	13	y R R	y R	y
282	Approach Medium	14	Y G R	Y G	-
281C	Limited Clear	15	R g R	R g	-
281B	Approach Limited	16	Y g R	Y g	-
281A	Cab Speed	17	g R R	g R	g
281	Clear (alt 1)	18	G R R	G R	G
281	Clear (alt 2)	19	G R R	G G	G
281	Clear (alt 3)	20	G R R	G -	G
-	Dark	21			

TABLE 12

Norfolk and Western using extended protocol

Norfolk and Western have a variety of signalling systems which can be controlled using the extended protocol as shown in the following table. CV38=70 displays aspects which include Lunar while CV38=71 displays the non-Lunar alternative aspects on 2-head searchlights. No signal can display all of the rules, and some rules are only valid on particular types of mast.

N&W Rule	Description	Aspect	Triple (A-F) CV38=69	Double CV38=70	Double CV38=71	Single (G+H) CV38=69/70
292	Stop	0	R R R	R R	R R	R
-	Not used	1	-	-	-	-
290	Restricting	2	R R Y	R Y	R Y	R
-	Not used	3	-	-	-	-
288	Slow approach	4	-	Y -	Y -	Y
287	Slow to Clear	5	R R G	G -	G -	G
286	Div approach	6	R Y R	L Y	-	-
285A	Approach distant	7	-	-	-	Y
285	Approach	8	Y R R	Y R	Y R	Y
-	Not used	9	-	-	-	-
283B	Div. Appr. Div.	10	R y R	L y	-	-
283	Diverging Clear	11	R G R	L G	R G	-
282A	Advance Approach	12	Y Y R	Y Y	Y Y	-
282	Approach Div.	13	Y G R	Y G	Y G	-
281	Clear	14	G R R	G R	G R	G
-	Dark	15	-	-	-	-

N&W Rule	Description	Aspect	Position CV38=68	Aspect	Single CV38=129
292	Stop	0	R R	0	R
-	Not used	1	-	8	-
290	Restricting	2	R \	0	R
-	Not used	3	-	8	-
288	Slow approach	4	-	1	Y
287	Slow to Clear	5	-	8	-
286	Div approach	6	R /	8	-
285A	Approach distant	7	Y	1	Y
285	Approach	8	Y	1	Y
-	Not used	9	-	8	-
283B	Div. Appr. Div.	10	R /(<F)	8	-
283	Diverging Clear	11	R 	8	-
282A	Advance Approach	12	Y /	8	-
282	Approach Div.	13	Y 	8	-
281	Clear	14	G	2	G
-	Dark	15	-	8	-

Key **R**=Red, **G**=Green, **Y**=Yellow, **y**=Flashing Yellow, **L**=Lunar, (<F) flashing.

TABLE 13

Pennsylvania RR position light operation with extended protocol
 PRR position lights can be controlled using the extended protocol according to the following rules when CV38=74.

PRR Rule	Description	CV38=74 Aspect N ^o	Aspect
292	Stop	0	R
294	Take siding	1	X
291	Stop and Proceed	2	R Y
290	Restricting	3	R \
289	Permissive	4	\
288	Slow Approach	5	R /
287	Slow Clear	6	
285A	Caution	7	\ Y
285	Approach	8	/
284	Approach Slow	9	//
283A	Medium App. (flashing)	10	R /
283	Medium to Clear	11	R
282	Approach Medium	12	/
281	Clear	13	
280	Clear Block	14	Y
-	Dark	15	

TABLE 14

Seaboard System Searchlight operation with extended protocol
 Seaboard searchlights can be controlled using the extended protocol according to the following rules when CV38=79 or 80.

Seaboard Rule	Description	Aspect N ^o	Triple head when CV38=79	Double head when CV38=80	Single head when CV38=80
291-5	Stop	0	R R R	R R	R
290	Restricting	1	R R L	R L	L
288	Slow Approach	2	R R Y	--	-
287	Slow Clear	3	R R G	--	-
286	Medium Approach	4	R Y R	R Y	-
285	Approach	5	Y R R	Y R	Y
284	Approach Slow	6	Y R G	--	-
283B	Medium App. Slow	7	R Y G	--	-
283A	Medium App. Approach	8	R Y Y	--	-
283	Medium Clear	9	R G R	R G	-
282A	Advance Approach	10	Y Y R	Y Y	y
282	Approach Medium	11	Y G R	Y G	-
281D	Limited Approach	12	R y R	R y	-
281C	Limited Clear	13	R g R	R g	-
281B	Approach Limited	14	Y g R	Y g	-
281	Clear	15	G R R	G R	G
-	Dark	16			

TABLE 15

UP and BNSF Searchlight operation with extended protocol

Union Pacific and BNSF Railway searchlights can be controlled using the extended protocol according to the following rules when CV38=76 or 77.

UP 1988 Rule	UP 2012 Rule	BNSF 2012 Rule	Description (UP)	Aspect N°	Triple head when CV38=76	Double head when CV38=77	Single head when CV38=77
245P/Q	9.2.14/15	9.1.14/15	Stop	0	R R R	R R	R
245N	9.2.13	9.1.13	Stop and Proceed (alt1)	1	r R R	r R	r
245N	9.2.13	9.1.13	Stop and Proceed (alt2)	2	R R r	R r	r
245M	9.2.13	9.1.13	Restricting (alt 1)	3	R R L	R L	L
245M	9.2.13	9.1.13	Restricting (alt 2)	4	R L R	R L	L
245M	9.2.13	9.1.13	Restricting (alt 3)	5	R R L	R L	L
-	9.2.12	9.1.10	Div. Approach Div.	6	R Y Y	--	-
245L	9.2.11	9.1.12	Diverging App. Slow	7	R R Y	--	-
245K	9.2.11	9.1.12	Diverging Approach	8	R Y R	R Y	-
245J	9.2.10	-	Diverging App. Limited	9	R R y	R y	-
245J	9.2.10	9.1.11	Diverging App. Limited	10	R y R	R y	-
-	9.2.16	-	Div. App. Clear 50	11	R Y G	--	-
-	9.2.7	9.1.7	Approach Restricting	12	Y r R	Y r	-
245H	9.2.9	9.1.9	Diverging Clear Slow	13	R R G	--	-
245G	9.2.9	9.1.9	Diverging Clear	14	R G R	R G	-
245F	9.2.8	-	Diverging Clear Limited	15	R g R	R g	-
245E	9.2.7	9.1.7	Approach Restricting	16	Y L R	Y L	-
245D	9.2.6	9.1.8	Approach	17	Y R R	Y R	Y
-	9.2.5	-	Approach Diverging	18	Y R Y	Y Y	-
245C	9.2.5	9.1.6	Approach Diverging	19	Y Y R	Y Y	-
245B	9.2.4	9.1.6	Approach Limited	20	y R R	Y R	y
-	9.2.3	9.1.5	Approach Clear 50	21	Y G R	Y G	-
-	9.2.2	9.1.4	Approach Clear 60	22	Y g R	Y g	-
245A	9.2.1	9.1.3	Clear	23	G R R	G R	G
-	-	-	Dark	24-31	---	--	-

TABLE 16

Other configurations not mentioned above

Chances are that a suitable configuration for your railroad has been listed above. The rule books of North American railroads are generally based on either the CROR rulebook (Canada), GCOR rulebook (Railroads West of the Mississippi) or NORAC rulebook (Eastern Railroads). Most railroads will fall in to one of these groups and will be able to use either the CROR configurations (Canada), Union Pacific configurations (Railroads using common western practice signalling which belong to GCOR) or NORAC configurations (Eastern railroads which belong to NORAC).

Some configurations have alternative ways to display some rules so check to see which aspect display matches the rule for your location where alternatives have been offered.

If your command station does not support the extended accessory protocol you will have to operate the signals using turnout addresses and configure signal heads individually using CV38=4 (searchlight heads with Lunar), CV38=8 (3-aspect searchlight heads and complex position lights) or CV 38=64 (multi-lamp heads and simple position lights) and use the controlling software logic to create the rules.

List of Configuration Variables

Here is the CV list for the 0.24 revision of the firmware. This list is likely to change with future firmware revisions.

All CVs are listed, but some are of no relevance to operating North American signals so have not been discussed in this document. The firmware is common to the current range of Signalist accessory decoders and therefore not all CVs will be relevant to this particular decoder.

CV	Alt. CV	Def. value	Range	Description	Notes
1	513	1	0-255	Lower address bits	0-63 only for decoder address mode
3	515	0	0-144	Output A and B on time in 10mS increments	0=constant, 1=10mS, 100=1S, 144=1.44S
4	516	0	0-144	Output C and D on time in 10mS increments	0=constant, 1=10mS, 100=1S, 144=1.44S
5	517	0	0-144	Output E and F on time in 10mS increments	0=constant, 1=10mS, 100=1S, 144=1.44S
6	518	0	0-144	Output G and H on time in 10mS increments	0=constant, 1=10mS, 100=1S, 144=1.44S
7 (rd)	519	9	-	Firmware type number	Accessory firmware
7 (wr)	519	0	0,1,2,10,11,12	LokMaus2	Used for LokMaus2 programming mode
8 (rd)	520	98	-	Manufacturer ID	98 = Harman DCC
8 (wr)	520	-	8	Factory Reset	8= Reset to defaults
9	521	0	0-7	Upper address bits	
29	541	128	128,192	Configuration bits	192=output address mode, 128=decoder address mode
33	545	0	0-15, 64-79	Mode	Bits 0-3 as MERG toggle mode, bit 6 Roco momentary mode
34	546	8	0,8	ACK pin	Do not change (ack load on pin 11)

CV	Alt. CV	Def. value	Range	Description	Notes
35	547	0	0-255	invert	Each bit inverts an output pin when set to 1
37	549	0	0-255	Default output state	Each bit will set an output to be active at reset
38	550	0	0-15,64-95,128-135	Decoder type	See decoder type table 1 above
48	560	255	0-255	Brightness of output A	Maximum brightness =255, minimum brightness =1 (minimum = 16 in order to avoid flicker)
49	561	255	0-255	Brightness of output B	
50	562	255	0-255	Brightness of output C	
51	563	255	0-255	Brightness of output D	
52	564	255	0-255	Brightness of output E	
53	565	255	0-255	Brightness of output F	
54	566	255	0-255	Brightness of output G	
55	567	255	0-255	Brightness of output H	
56	568	0	0-15	Special effect for output A	
57	569	0	0-15	Special effect for output B	
58	570	0	0-15	Special effect for output C	0= Constantly on, 1=MARS lamp, 2=Oil lamp, 3=Flashing, 4=Single strobe, 5=Double strobe, 6=Rotating beacon, 7=Gyalight, 8=fade up and down flashing phase 1, 9=fade up and down flashing phase 2, 12=Flashing (inverse to 3), 14= flashing portable battery light.
59	571	0	0-15	Special effect for output D	
60	572	0	0-15	Special effect for output E	
61	573	0	0-15	Special effect for output F	
62	574	0	0-15	Special effect for output G	
63	575	0	0-15	Special effect for output H	
192-223	-	255	0-255	User defined aspects 0-31	

TABLE 17

Configuration of automation software

The SC1 can be operated by most automation software. The following should help in the SC1 specific configuration. Full instructions on how to implement the software are outside the scope of what can be included here.

Railroad & Co

Railroad & Co and the related Roco bundled Rocomotion support any of the 'Truth Table' modes of the SC1 where CV38 is set to 0-6, 8-10, 12-15 and 64. Configuration instructions here are based on the current version 8 of RR&Co.

RR&Co by default can only show simple single head North American aspects. To get RR&Co to display feathers and more realistic aspect displays it will be necessary to purchase the Gold version and customise the signal icons.

4-Aspect signals

Any 4-aspect signal can be implemented where CV38=4, 10 or 64. After placing the signal on to the track diagram, right click and select the signal properties and set the connection tab as below in Figure 27.

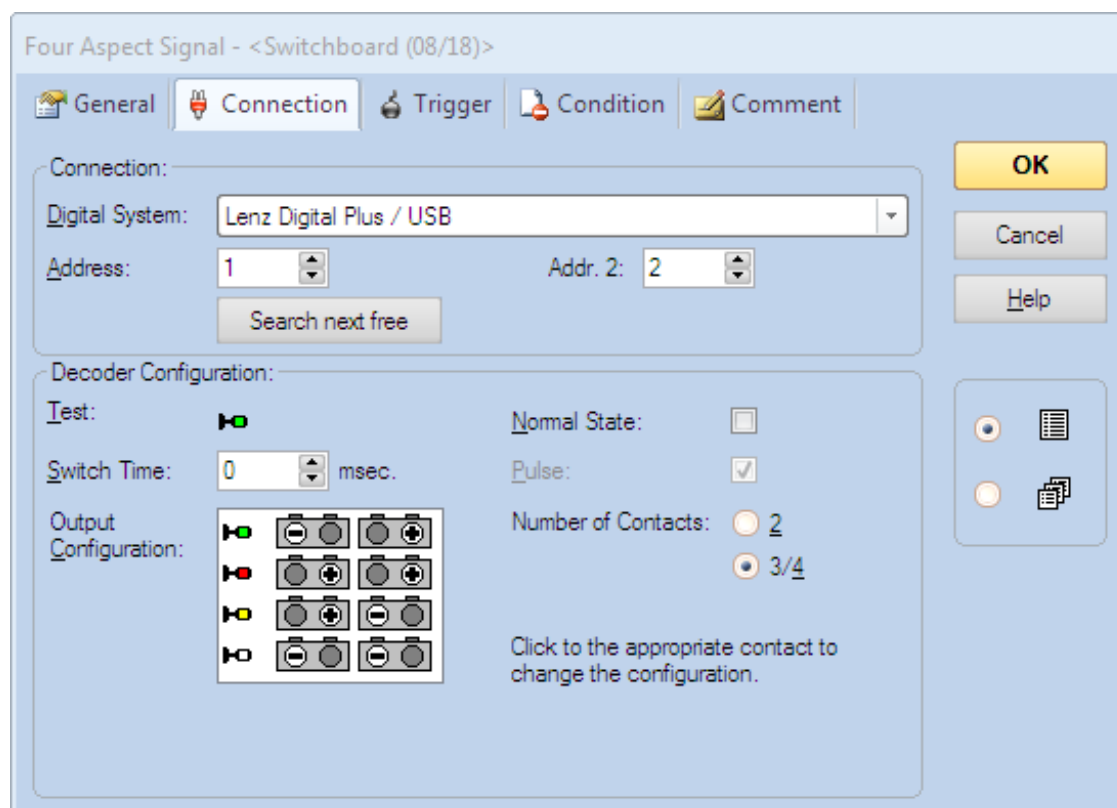


FIGURE 27

I have used the default US searchlight signal here where the four aspects are shown as Green, Red, Yellow and Lunar (white), flashing red or yellow is not an option for the fourth aspect.

The address is always the base address of the signal (base address of the decoder for the first signal, or base address of the decoder + 2 for the second signal). Addr.2 will always be address +1. If your command station works in reverse as regards what is normal and reverse you will have to exchange all the + with – in the output configuration section – the configuration shown here is for Lenz and compatible systems, Roco for example will work in reverse to this.

3-Aspect signals

Again any 3-aspect signal can be implemented where CV38=1, 4, 6, 8, 9, 10, 14 or 64. After placing the signal on to the track diagram, right click and select the signal properties and set the connection tab as below in Figure 28.

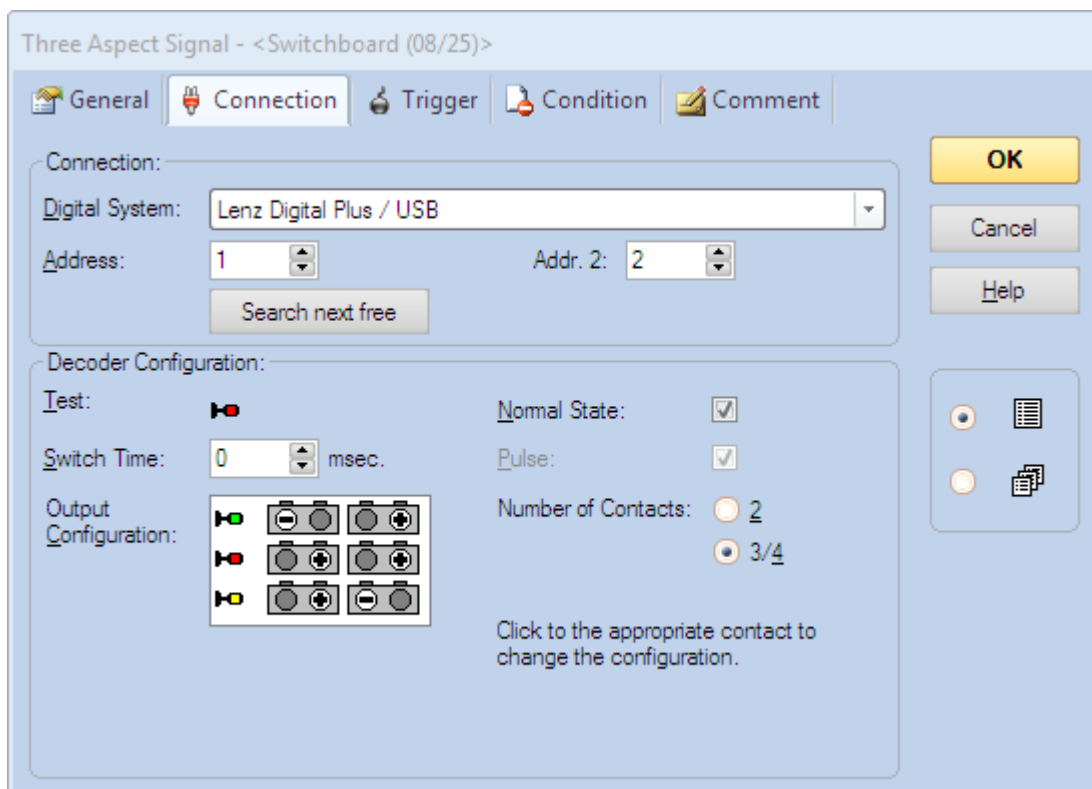


FIGURE 28

I have used the default searchlight signal here where the three aspects are shown as Green, Red, and Yellow which will be OK for some installations, but for multi-lens representations new icons will need to be created in the Gold version.

Address is always the base address of the signal (base address of the decoder for the first signal, or base address of the decoder + 2 for the second signal). Addr.2 will always be address +1. If your command station works in reverse as regards what is normal and reverse you will have to exchange all the + with – in the output configuration section – the configuration shown here is for Lenz and compatible systems, Roco will work in reverse to this.

2-aspect signals

2-aspect signals can be implemented where CV38=0, 6 (G+H), 14 (E+F or G+H). After placing the signal on to the track diagram, right click and select the signal properties and set the connection tab as below in Figure 29.

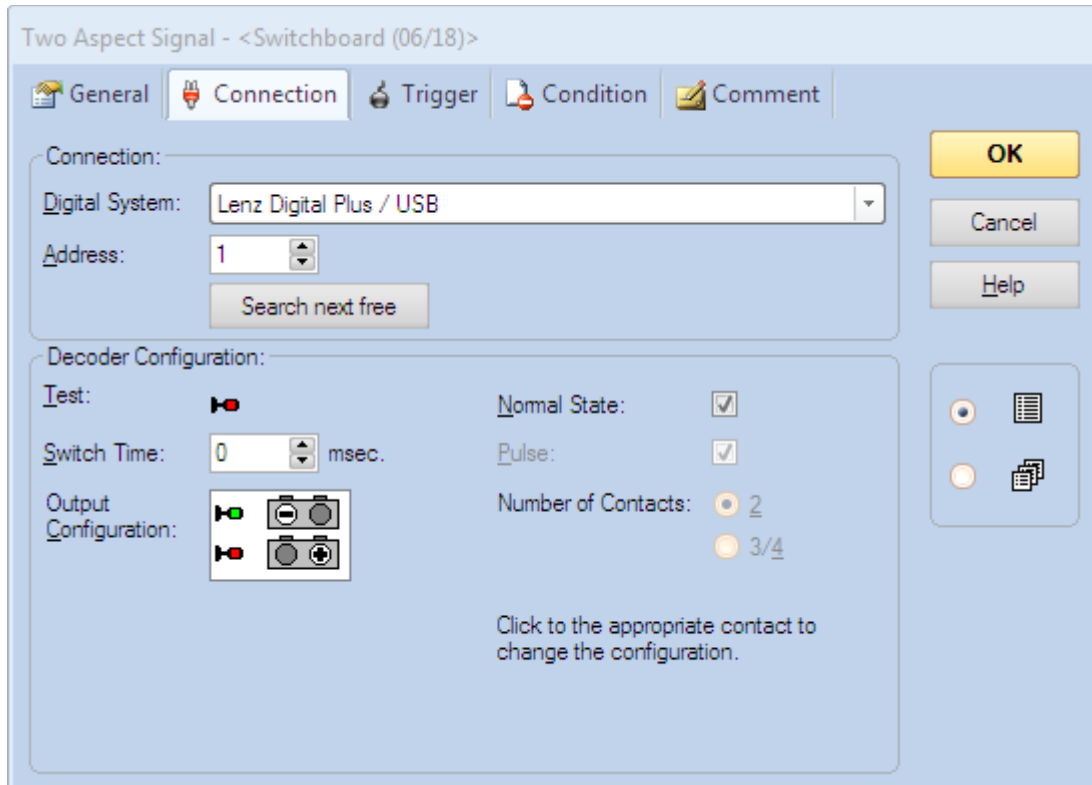


FIGURE 29

I have used the default searchlight signal here where the two aspects are shown as Green and Red which will be OK for some installations, but for multi-lens new icons will need to be created in the Gold version. There is no simple implementation of a Green and Yellow distant, this is covered below.

Address is always the base address of the signal (base address of the decoder for the first signal, or base address of the decoder + 1 for the second signal etc. except where feathers are used and the second signal will be decoder base address +2).

If your command station works in reverse as regards what is normal and reverse you will have to exchange all the + with – in the output configuration section – the configuration shown here is for Lenz and compatible systems, Roco will work in reverse to this.

2-aspect distant

2-aspect distant signals can be implemented where CV38=0 or 2 but they do not have native support in RR&Co. To implement a distant it will be necessary to use a 3-aspect signal and just ignore the red aspect. After placing the 3-aspect signal on to the track diagram, right click and select the signal properties and set the connection tab as below in Figure 30.

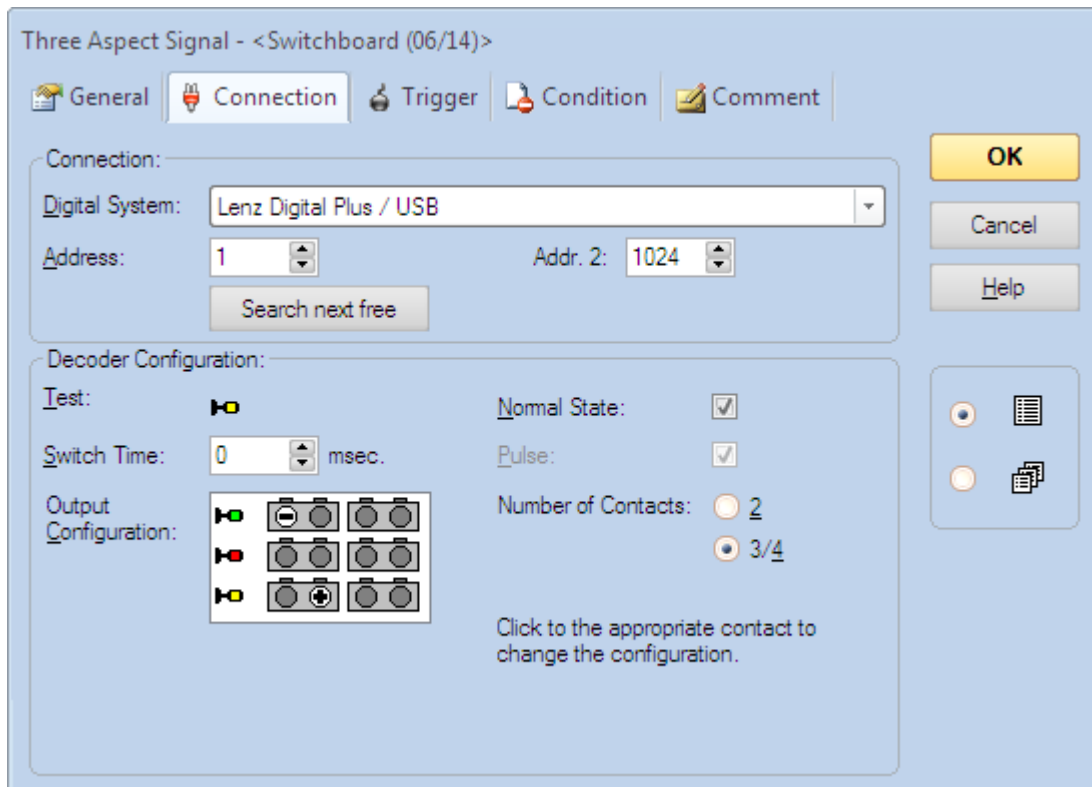


FIGURE 30

As you can see the red aspect has been ignored and Addr. 2 has been set to a dummy value (1024 in this case, but any unused address that you do not intend to use will suffice). It is just important that you do not allow the signalling logic to set the signal to red because RR&Co can still display red on the track diagram even though it cannot switch the actual signal to red.

JMRI

JMRI is a suite of open source programs to aid layout automation. It is outside the scope of this manual to cover the full functionality and configuration of JMRI, but I will show how to configure individual signal heads to match the configuration within the Signalist SC1 decoder. JMRI is not quite as intuitive as RR&Co and is not always consistent in how it describes things and the selection of configuration items can be confusing. It does in some ways offer more flexibility than RR&Co, and being open source you can always modify JMRI to suit what you are trying to do. The following is based on JMRI test version 3.3.4 but newer release versions can be used. I have referred here to signal heads for simplicity, but for practical purposes signal masts should be used instead where possible.

To get to the signal head table you will need to launch one of the JMRI programs (I have used PanelPro here in figure 31) and then from the Tools menu choose Tables > Signals > Signal Heads.

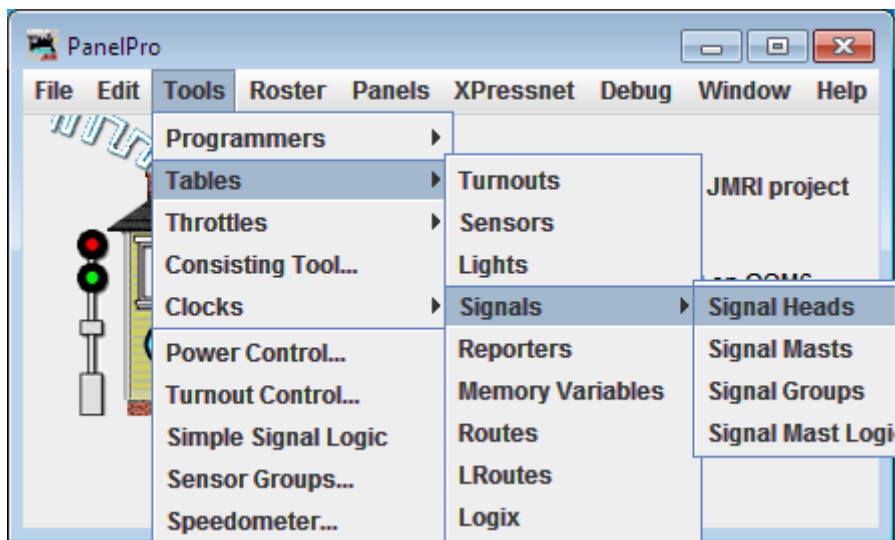


FIGURE 31

2-aspect signal configuration

To add a new signal head in the signal head table click on the 'Add' button. In the 'add new signal' window choose Single Output. Put the signal DCC address in the Green output number. Appearance when closed will always be Green, but you can choose Red or Yellow for appearance when Thrown depending on whether your signal is home or distant.

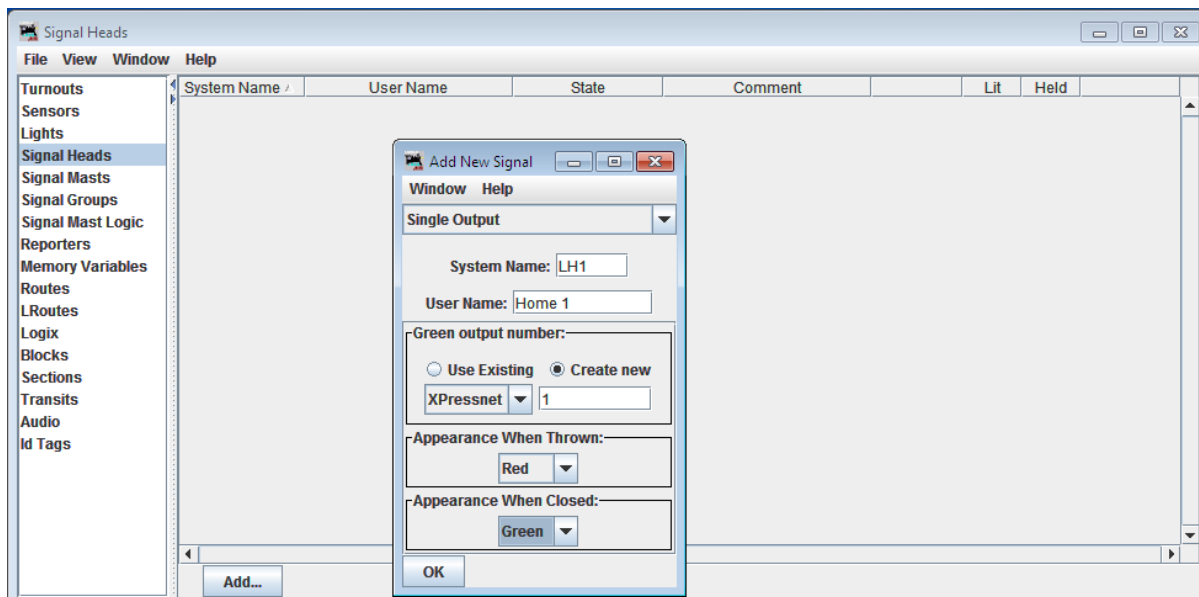


FIGURE 32

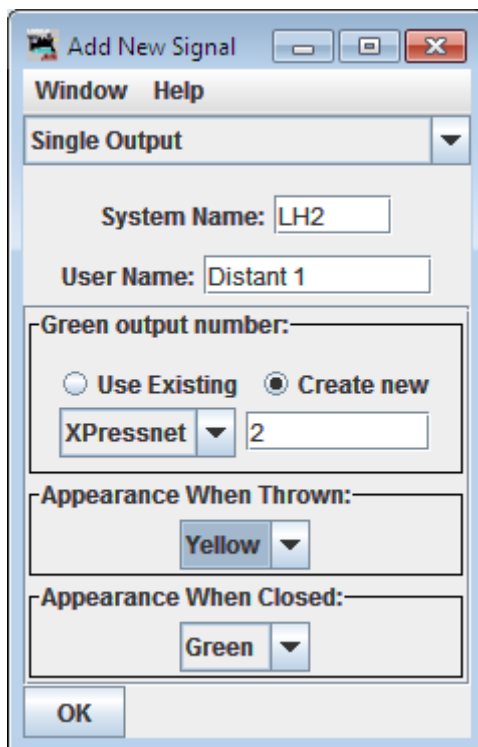


FIGURE 33

Figure 33 shows the configuration for a distant. 2-aspect configuration applies to CV38=0, 6 (G+H only) or 14 (outputs E+F or G+H only).

3-aspect signal configuration

3-aspect configuration is a little more complex. When adding a signal head you will need to choose MERG Signal Driver. Choose 3 aspects and input1 is the base signal DCC address (base decoder address for the first signal or base decoder address + 2 for the second signal) while Input2 is Input1 + 1

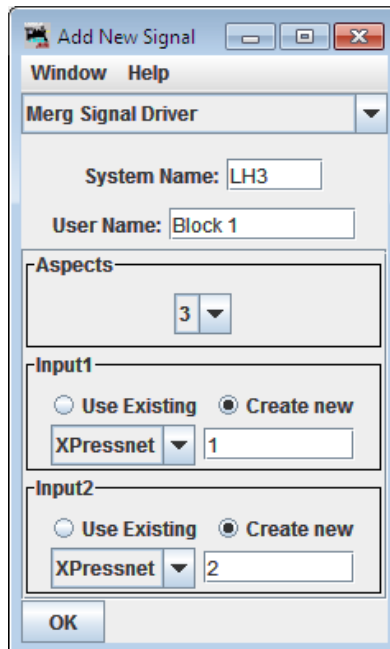


FIGURE 34

Because the MERG decoder reverses the Red and Green connections it is necessary to reverse Input 1 in the turnout table. Just tick the inverted box next to the address used for Input1. This configuration is suitable for CV38=1, 4, 6, 8, 9, 10, 14 or 64.

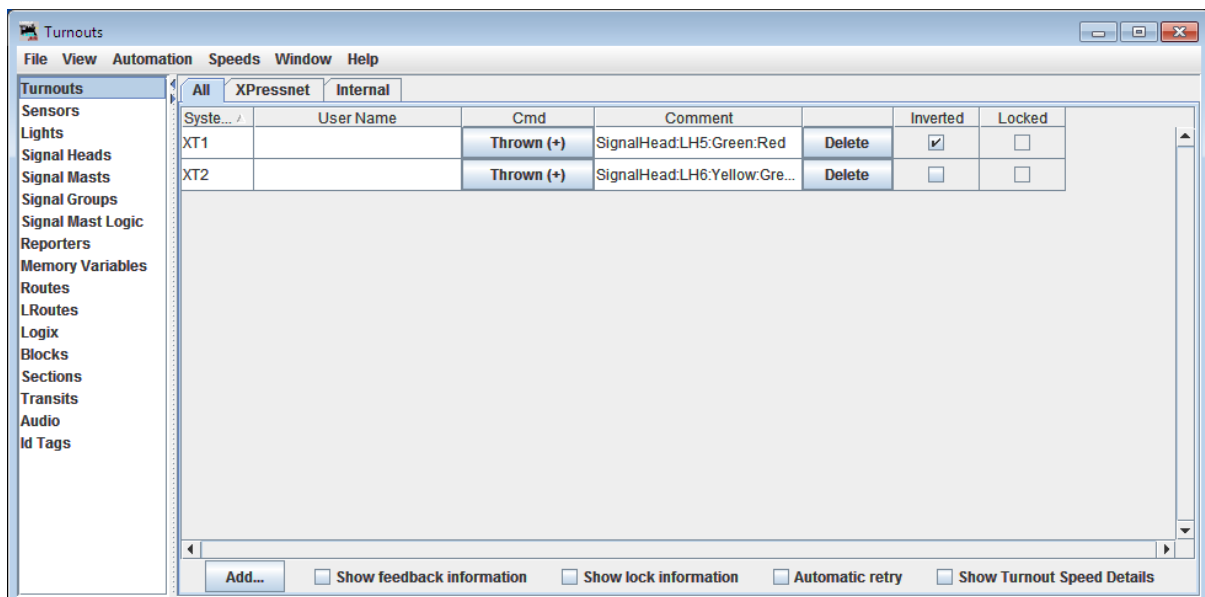


FIGURE 35

4-aspect signal configuration

There is no suitable 4-aspect truth table driver built in to JMRI so for 4-aspect signals it is necessary to set CV38 to 7 (or 11 if flashing and dark aspects are not desired) and use the Quad Output driver. Red output number is the decoder base address, Green output number is the decoder base address +1, Yellow output number is the decoder base address +2 and Lunar output number is decoder base address +3 (add 4 to each of these for the second signal).

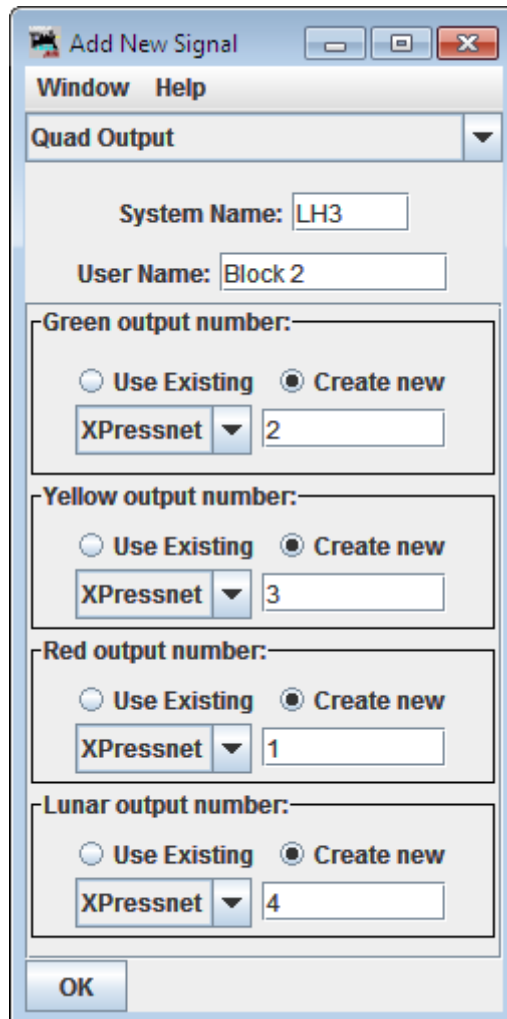


FIGURE 36

This configuration mode offers the maximum flexibility of aspects when using the standard accessory addresses including flashing Red, Green, Yellow and Double Yellow as well as the standard aspects and dark is available too to create approach lit signals.

Extended accessory protocol signal configuration

JMRI is one of the few applications to support the extended signal protocol so it makes sense to use it if your command station supports it for any signal with more than two aspects.

Single head extended protocol configuration

All single head extended protocol signals are configured the same in JMRI regardless of CV38 setting or number of aspects. Using the extended accessory protocol makes configuration a lot easier if it is available as shown in Figure 37.

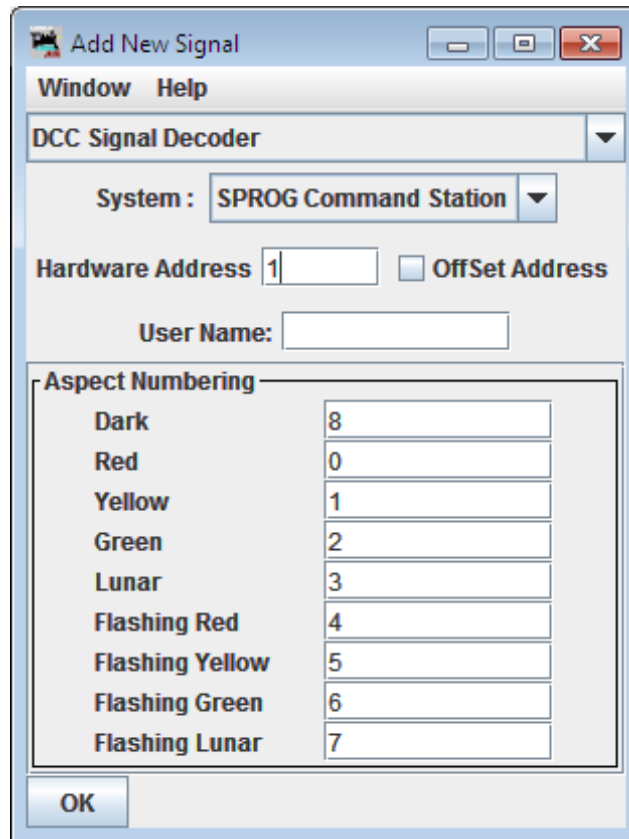


FIGURE 37

Regardless of how many aspects your signal has you just need to select the DCC Signal Decoder type as in figure 37 and set the Hardware Address to base for the first signal, base +1 for the second signal, base+2 for the third or base+3 for the fourth. The default values are suitable for CV38=67 or 128-135.

Multi head signals will require a signal mast configuration to consolidate the heads into a single signal. You can either do it manually by creating a separate head configuration for each head with CV38=129 (3-aspect searchlight heads), CV38=132 (4-aspect searchlight heads) or CV38=67 (3-aspect or 4-aspect heads with separate lenses) and then creating a mast from the individual heads. You may find that you need to use heads for which there is no suitable extended accessory protocol configuration (usually when there is a mixture of head types on a mast), but this is not a problem, just use CV38=8 and create the heads from individual lamps, and then consolidate the heads into a mast. If you are using one of the railroad specific configurations in CV38 (e.g. CV38=81 for a NORAC 3-head searchlight) there is no need to configure individual heads manually.

To configure a mast go to the Signal Masts table and click Add. Choose the signal system from the drop down menu, if your particular railroad and rule book is not listed use NS-2008 which will be a good starting point especially for Eastern railroads. Choose the type of mast from the mast type drop down box that most closely matches your signal.

If you have individually configured heads choose Signal Head Controlled Mast from the select mast driver box as shown in Figure 38. If you have set CV38 for a railroad specific signal type use DCC Signal Mast Decoder as shown in Figure 39, set the signal accessory address and insert the aspect numbers in to the Set Aspect ID field relating to the rules from the relevant table in the operation section. Once the mast has been added you will be able to check the signal by selecting an aspect from the aspect pull down box in the signal mast table.

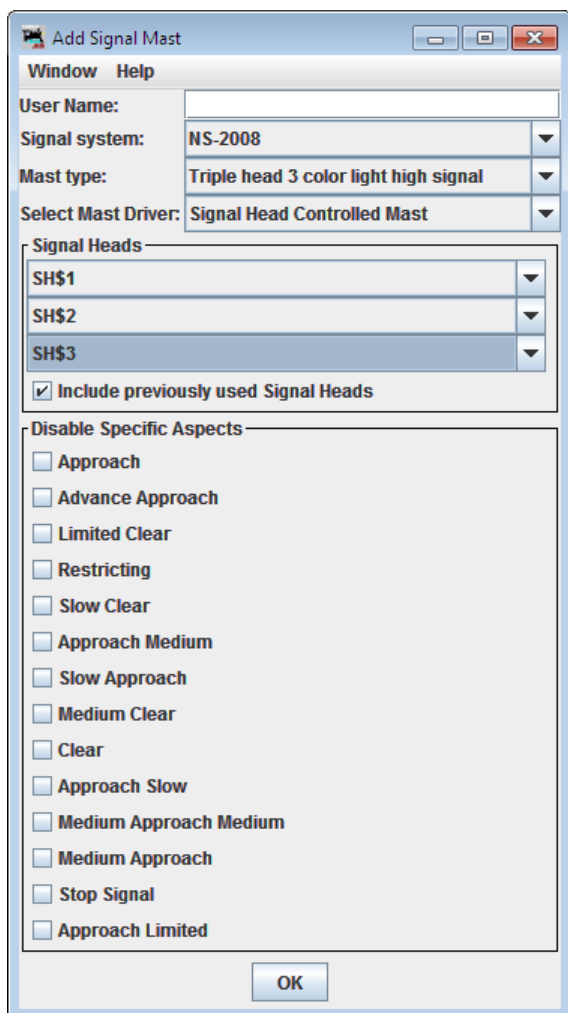


FIGURE 38

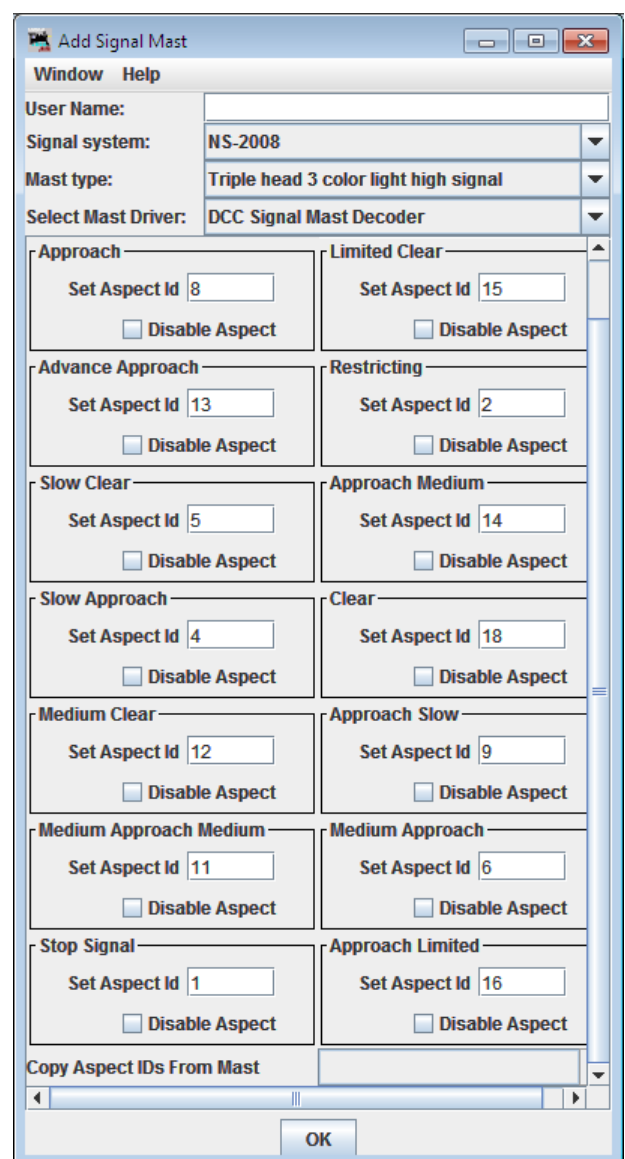


FIGURE 39

RocRail

RocRail is free to download layout automation software, although they do ask for a donation. I will not cover the full configuration of RocRail because it is outside the scope of this manual, but just the basic configuration of signals. RocRail is very European-centric and might take a lot of customisation to give a suitable look to the signal elements. Being European a lot of the language and terms used are likely to be unfamiliar. The following is based on revision 4822 of Rocrail.

To add a signal to your RocRail map go to the Tables menu and choose Signals.

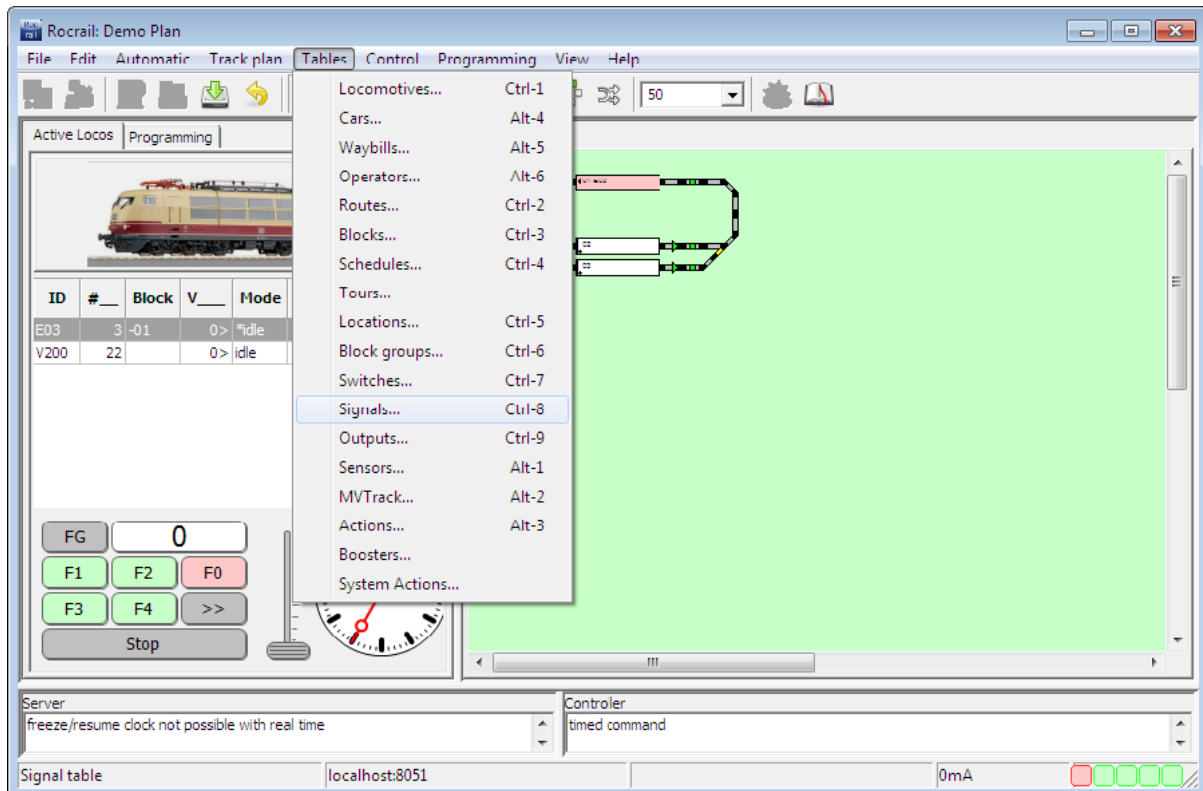


FIGURE 40

In the Signal table click New to add a new signal entry to the table. Click the new entry to highlight it.

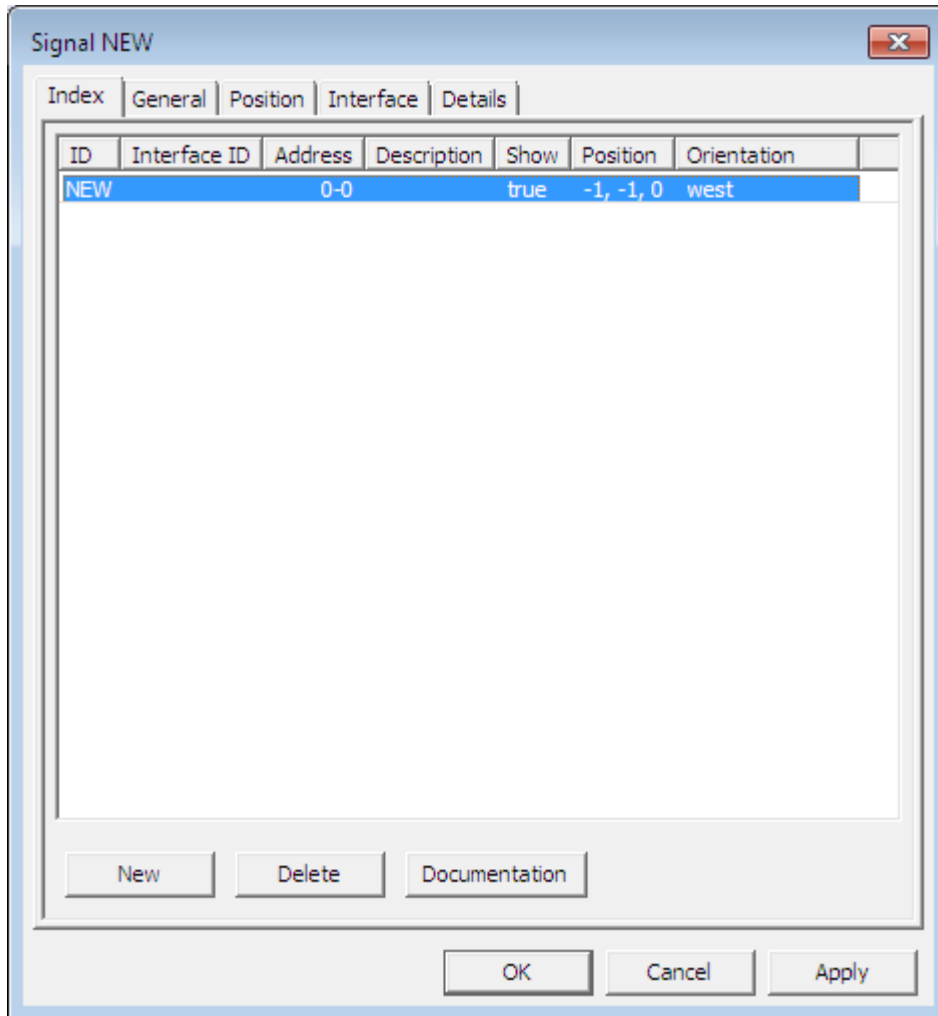


FIGURE 41

In RocRail the addressing expects you to be using a NMRA 4-output accessory decoder using decoder addressing mode so the address referred to is the NMRA Decoder address and the port number is the output on that decoder. For example this will mean that accessory addresses 1-4 will be on decoder address 1 ports 1-4, accessory addresses 5-8 will be decoder address 2 ports 1-4. Since you will probably be using a single decoder to operate multiple signals it will be necessary to set any ports that you are not using to address 0 which makes it inactive. The following shows the interface tab set for a 2-aspect signal using the first signal on a decoder. The type 'Patterns' must be used for truth-table modes (where CV38 = 0-6, 9-10 or 14) and 'Aspect numbers' for extended accessory modes (CV38=65-95 or 128-135)

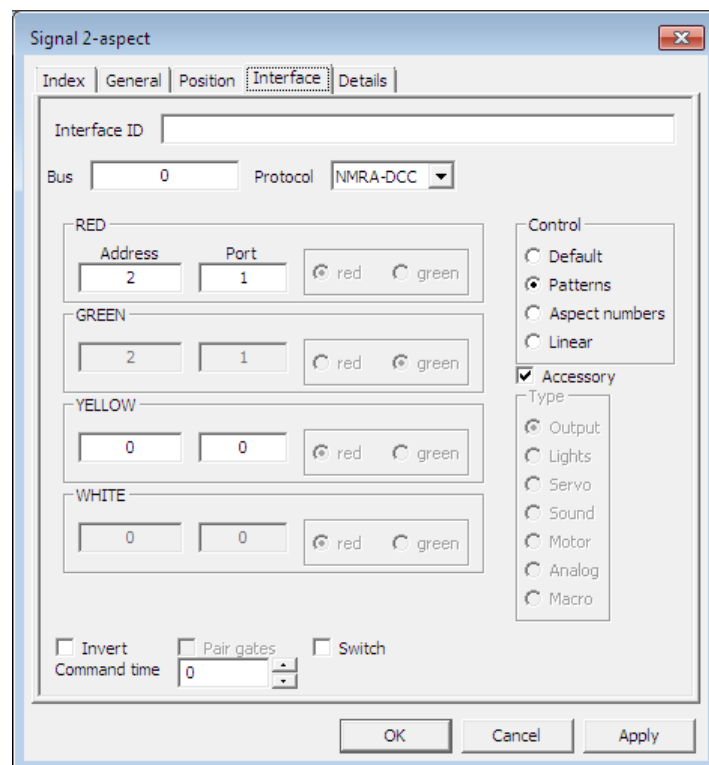


FIGURE 42

When you have configured a signal you can test it by clicking on the new signal icon on the map and it will cycle through the aspects in a strange order red – green – lunar (referred to as white and displays green/yellow on the map) – yellow.

If you have a system that reverses the sense of Normal and Reverse (referred to as R for normal and G for reverse in RocRail) like Roco, you just need to exchange the Rs for Gs and vice versa in the details page.

RocRail 2-aspect home signal configuration

For a 2-aspect signal set the interface tab as in figure 42. In the RED box set Port to be 1 for outputs A and B, 2 for outputs C and D, 3 for outputs E and F and 4 for outputs G and H. In the YELLOW box both Address and Port should be set to 0 because they are not used.

In the Details tab chose Light signal as signal type, Main signal as signification and Aspects should be 2.

Under the green entry select G1 for the RED Address and N for the YELLOW Address, and under the red entry choose R1 for the RED Address and N for the YELLOW Address. All other entries are unused so must be set to N.

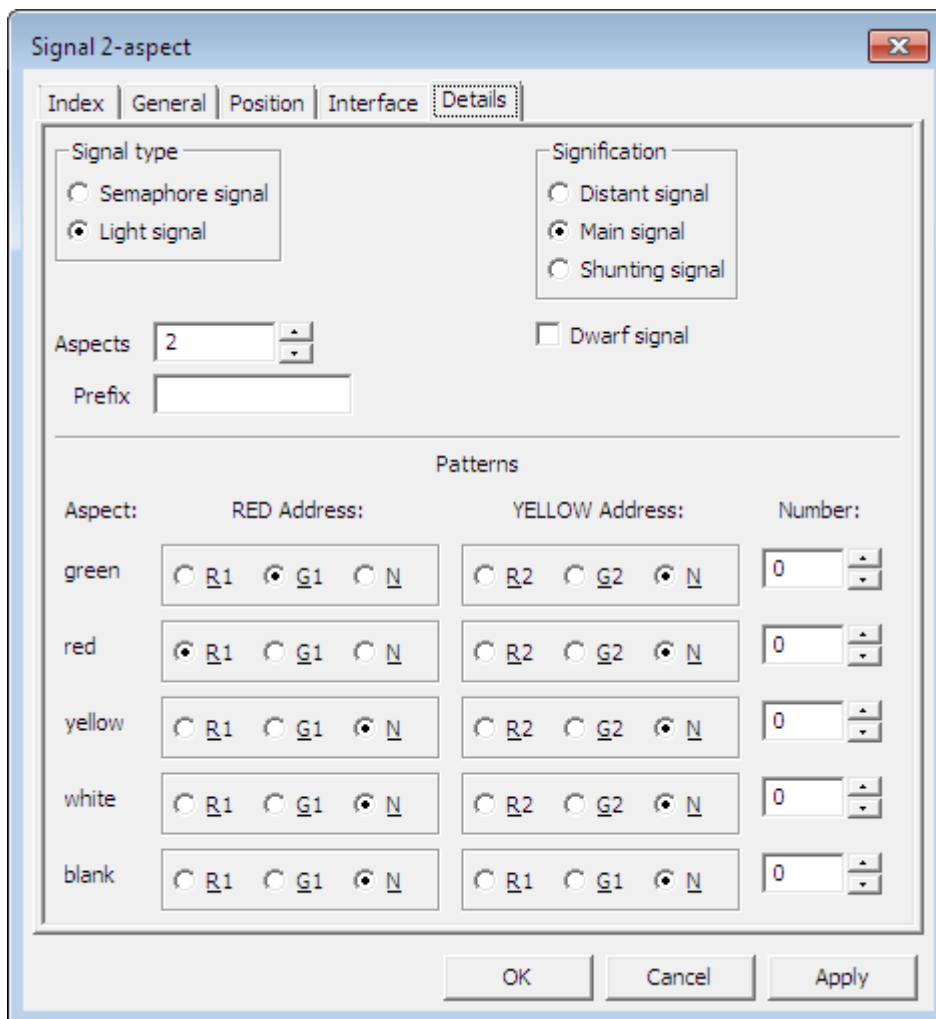


FIGURE 43

This configuration is valid for CV38=0, 2, 6 or 14.

RocRail 2-aspect Distant configuration.

The distant configuration in RocRail is not completely straightforward. In the details tab shown in Figure 44 you will need to set Aspects to 3, set the red entry to RED Address N and the yellow entry to RED Address R1. Although the signal can only show Yellow and Green it is configured in RocRail as a 3-aspect so it is possible to set it to red within RocRail if you are not careful.

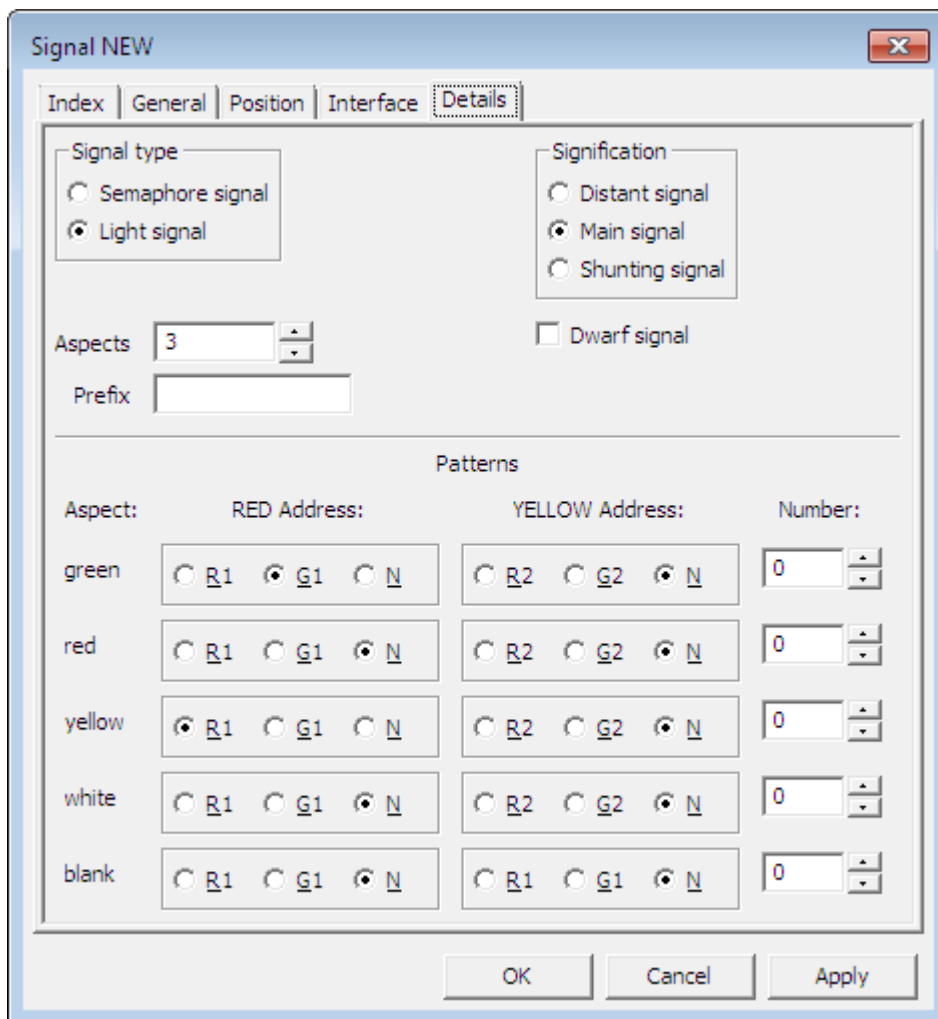


FIGURE 44

This configuration is valid for CV38=0, 2, 6 or 14.

RocRail 3-aspect configuration.

For a 3-aspect signal set the interface tab as in Figure 45. The RED port will be 1 and YELLOW port will be 2 for the first signal on outputs A-D or RED port will be 3 and YELLOW port will be 4 for the second signal on outputs E-H. Control is Patterns and the address will be the decoder address and not the output address. Aspect numbers should be used instead of Patterns when extended modes are used (where CV38=67 or 128-135).

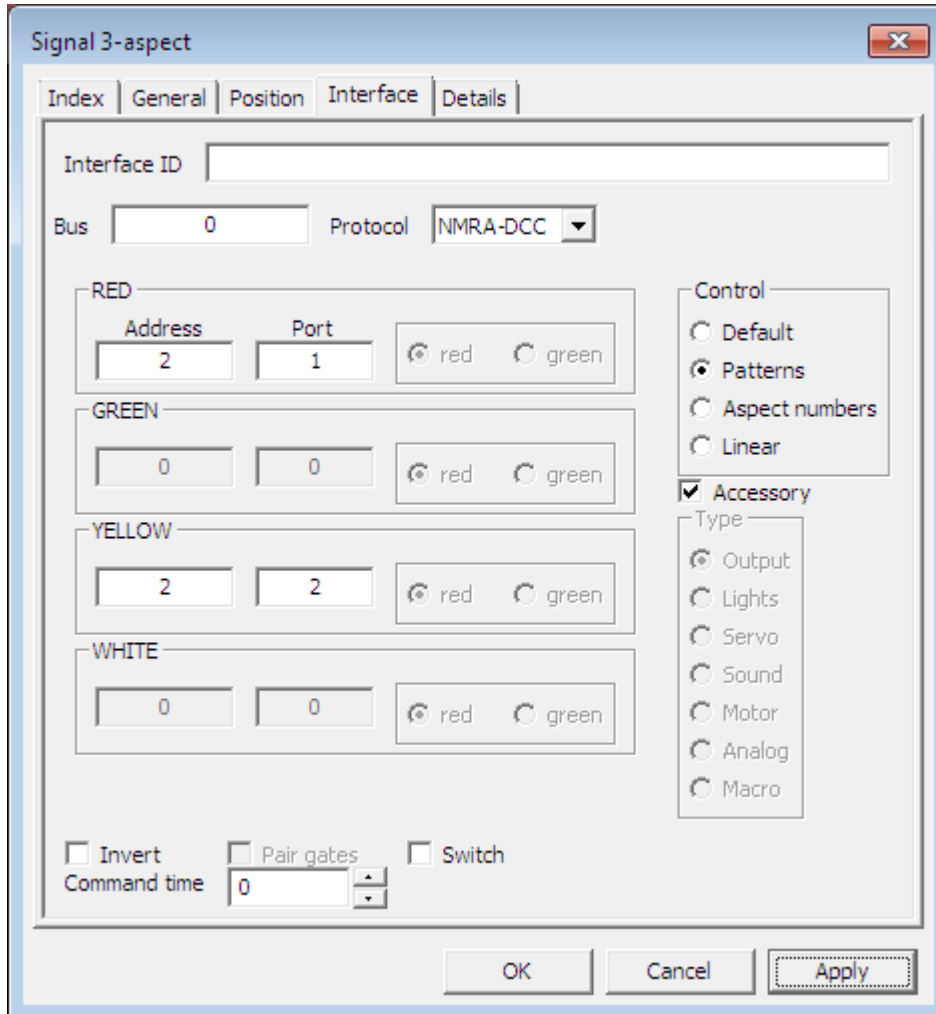


FIGURE 45

Set the Details tab as in Figure 46. Aspects should be 3, green entry should have RED Address G1 and YELLOW Address R2, red entry RED Address R1 and YELLOW Address R2 and yellow entry should have RED Address R1 and YELLOW Address G2. The Number field should be filled in with green=2, red=0, yellow=1 and blank=8 if CV38=67 or 128-135.

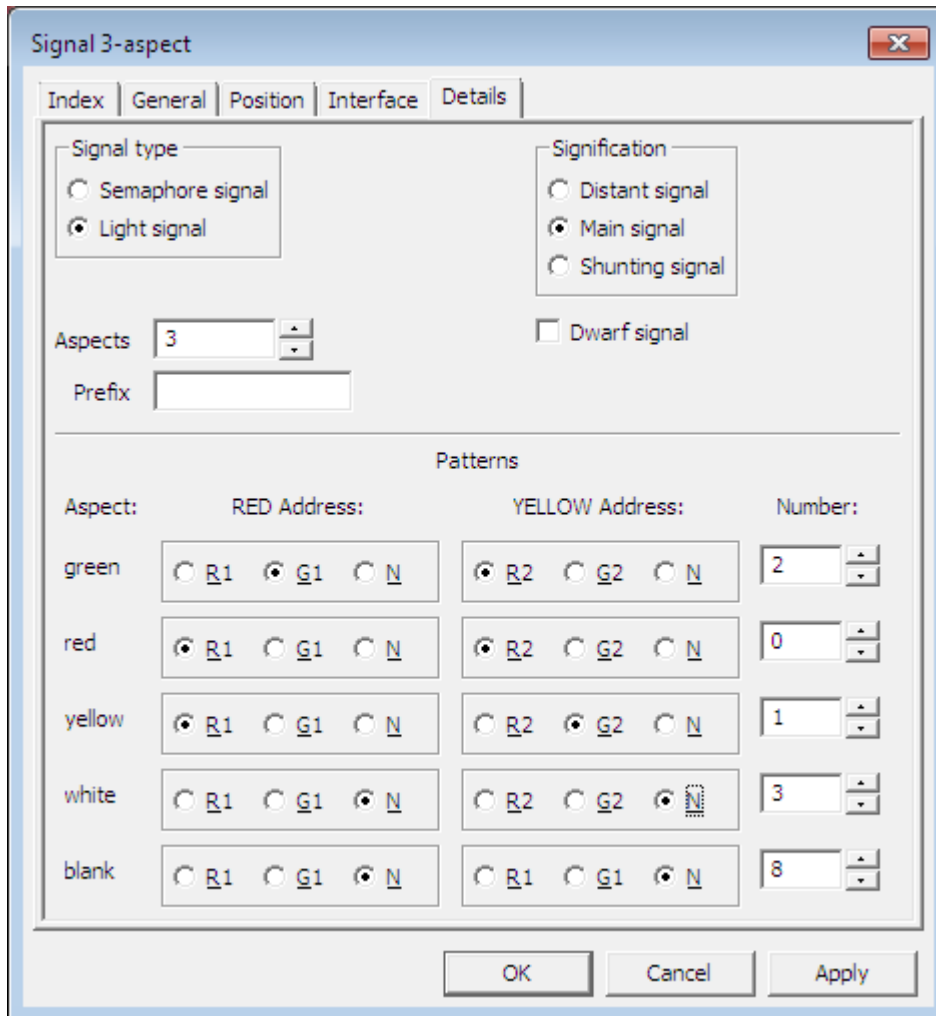


FIGURE 46

This configuration will work for CV38=1, 3, 4, 5, 6, 9, 10 or 14.

RocRail 4-aspect signal configuration

4-aspect signal configuration in RocRail is much the same as the 3-aspect. Set the interface tab the same as the 3-aspect configuration shown in Figure 45. The fourth lunar aspect is referred to as white in RocRail. The details tab should be set as in Figure 47. Aspects is 4, green has RED Address G1 and YELLOW Address R2, red has RED Address R1 and YELLOW Address R2, yellow has RED Address R1 and YELLOW Address G2 and white has RED Address R1 and YELLOW Address G2. The Number field should be filled in with green=2, red=0, yellow=1, white=3 and blank=8 if CV38=67 or 128-135.

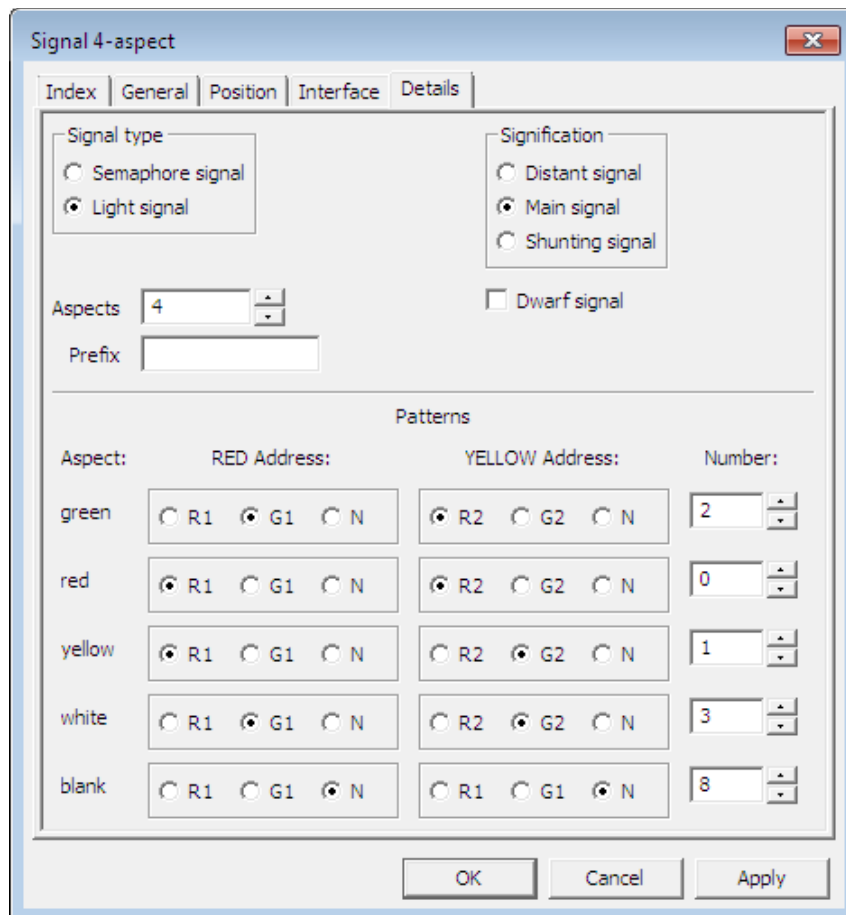


FIGURE 47

This configuration is suitable for CV38=1, 3, 4, 5, 6, 10 or 14.

More than four aspects

When configuring for extended accessory modes that use more than four aspects you will need to create (or download) some new signal images to display on the track layout. Currently Rocrail will support up to 16 aspects which is suitable for most of those included preconfigured in the Signalist SC1. Even if there is no icon displayed on the track layout, it is still possible to click where it should be to cycle through the aspects on the signal to verify that all is working fine.

Specification

Maximum track voltage	24V*
Minimum track voltage	12V with 100mA load* 8V with 50mA load
Output voltage	5V
Output current	25mA per output (overload limited) 100mA total (overload limited)
Current consumption	10mA
Number of outputs	8
Protocol supported	NMRA basic accessory decoder NMRA extended accessory decoder
Address modes supported	Decoder address mode Output address mode
Programming modes supported	Direct bit Direct byte Page** Automatic address (using jumper)

* Good ventilation is required when using track voltage above 18V or at high load to prevent overheating.

** Page mode is only provided as a fall-back in the event that Direct mode does not work or your system does not support it. Page mode is not recommended.

Additional support

The Signalist SC1 is a very complex product, and therefore not every aspect of its operation can be covered in this manual. If you need any support on things covered in this manual or for things that have not been covered support is available at the Signalist support forum:-

<http://signalist.proboards.com/>

Signalist SC1 Issue 3 North America user manual Rev 1

© Paul Harman 2016 all rights reserved

<http://www.signalist.co.uk/na>